

History-Based Value Report

\$17,780

CARFAX Retail Value

History events affecting this vehicle's value

- Personal Vehicle
- Salvage Brand

Vehicle History Report™

US \$44.99

2021 BMW X3 XDRIVE30E

VIN: 5UXTS1C09M9F43004
 4 DOOR WAGON/SPORT UTILITY
 2.0L I4 F DOHC 16V
 HYBRID
 ALL WHEEL DRIVE

Branded Title: Salvage >

5 Service history records >

2 Previous owners >

Personal vehicle >

Last owned in North Carolina >

62,668 Last reported odometer reading >

This CARFAX Vehicle History Report is based only on [information](#) supplied to CARFAX and available as of 3/14/26 at 1:04:43 AM (CDT). Other information about this vehicle, including problems, may not have been reported to CARFAX. Use this report as one important tool, along with a vehicle inspection and test drive, to make a better decision about your next used car.

Accident / Damage History

Not all accidents / issues are reported to CARFAX

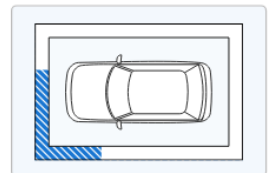
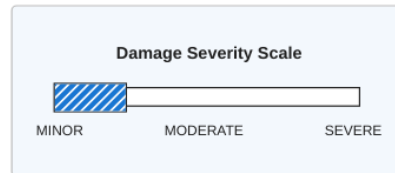
Event 1

08/21/2021

Accident reported: minor damage ⓘ

- Involving front or side impact
- Vehicle towed
- Airbags did not deploy

[View More Details >](#)

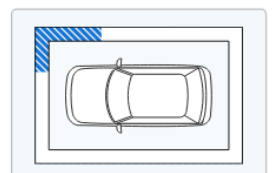
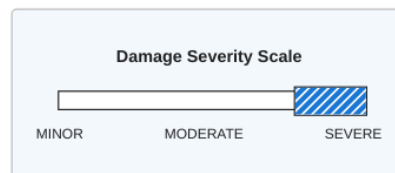


Event 2

05/23/2023

Damage reported: severe damage ⓘ

[View More Details >](#)



Event 3

06/09/2025

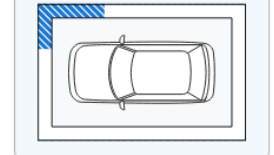
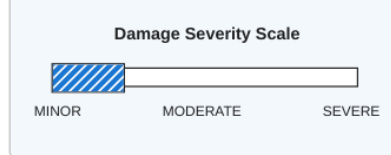
Accident reported: minor damage ⓘ




06/09/2025

Accident reported: minor damage ⓘ

- Vehicle involved in a sideswipe collision
- Airbags did not deploy

[View More Details >](#)[Show More >](#)**Recent Service Highlights**

Key services performed in the last 12 months

Service	Comments	Date	
Tires	✓ Four wheel alignment performed	05/23/2025	View Details >
Brakes	✓ Brake fluid flushed/changed	05/23/2025	View Details >
 <div style="border: 1px solid #ccc; padding: 5px; display: inline-block;">This car has been recently serviced. That's a good thing!</div>			

**Additional History**

Not all accidents / issues are reported to CARFAX

	Owner 1	Owner 2
Total Loss ⓘ Total Loss Reported: 03/04/2026.	✓ No Issues Reported	Total Loss Reported
Structural Damage ⓘ CARFAX recommends that you have this vehicle inspected by a collision repair specialist.	✓ No Issues Reported	✓ No Issues Reported
Airbag Deployment ⓘ No airbag deployment reported to CARFAX.	✓ No Issues Reported	✓ No Issues Reported
Odometer Check ⓘ No indication of an odometer rollback.	✓ No Issues Indicated	✓ No Issues Indicated
Accident / Damage ⓘ DMV title problems reported. Accidents reported: 08/21/2021 and 06/09/2025. Severe damage reported: 05/23/2023. Damage reported: 05/23/2023 and 01/20/2026.	Severe Damage	Severe Damage
Manufacturer Recall ⓘ No open recalls reported to CARFAX.	✓ No Recalls Reported	✓ No Recalls Reported
Basic Warranty ⓘ Original manufacturer warranty likely voided by manufacturer.	✓ Warranty Active	Warranty Voided

**Title History**

	Owner 1	Owner 2
Damage Brands ⓘ Salvage Junk Rebuilt Fire Flood Hail Lemon	No Problem	Alert! Problem Found
Odometer Brands ⓘ Not Actual Mileage Exceeds Mechanical Limits	No Problem	No Problem



ALERT! - Severe problems were reported by a state Department of Motor Vehicles (DMV). This vehicle does not qualify for the CARFAX Buyback Guarantee.



Ownership History

The number of owners is estimated

Owner 1

Owner 2

Year purchased

2021

2024

Type of owner

Personal

Personal

Estimated length of ownership

2 yrs. 7 mo.

2 years

Owned in the following states/provinces

North Carolina

North Carolina

Estimated miles driven per year

13,224/yr

12,480/yr

Last reported odometer reading

37,401

62,668



Detailed History

[Glossary](#)

Owner 1

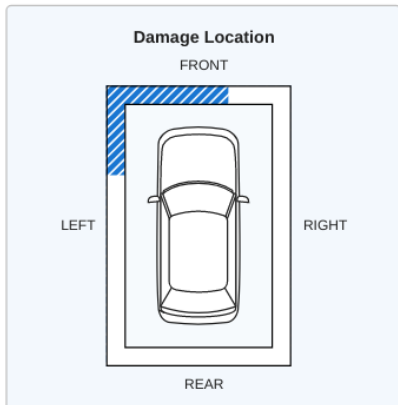
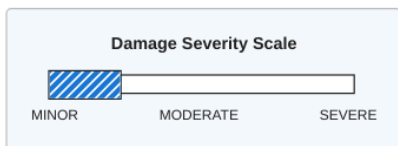
Purchased: 2021

Personal Vehicle

13,224 mi/yr

Date	Mileage	Source	Comments
12/19/2020	6	Hilton Head BMW Bluffton, SC 843-815-1501 hiltonheadbmw.com 168 Customer Favorites	Vehicle serviced -Pre-delivery inspection completed -Nitrogen fill tires
07/10/2021	4,502	North Carolina Motor Vehicle Dept. Cary, NC	Odometer reading reported -Titled or registered as personal vehicle
07/30/2021		North Carolina Motor Vehicle Dept. Cary, NC Title #778817212114148	Registration issued or renewed -Title or registration issued -First owner reported -Loan or lien reported
08/21/2021		Damage Report	Accident reported: minor damage -Involving front or side impact -Damage to left front -Damage to front -Vehicle towed -Airbags did not deploy

CARFAX HAS THE MOST ACCIDENT & DAMAGE INFORMATION



08/23/2022

North Carolina
Motor Vehicle Dept.

Registration issued or renewed
-Loan or lien reported

08/23/2022

North Carolina
Motor Vehicle Dept.
Cary, NC
Title #778817212114148

Registration issued or renewed
- Loan or lien reported

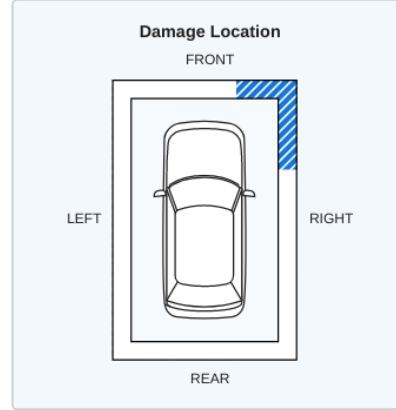
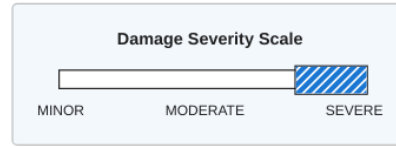
05/23/2023

Damage Report



Damage reported: severe damage ⓘ
- Damage to right front

**CARFAX HAS THE MOST
ACCIDENT & DAMAGE
INFORMATION**



01/04/2024

37,401

AutoPark Honda
Cary, NC
919-467-4747
autoparkhonda.com/
❤️ 58 Customer Favorites



Vehicle serviced
- Maintenance inspection completed
- Brakes checked
- Four tires balanced
- Emissions inspection performed
- Oil and filter changed
- Tires rotated
- Wiper(s) replaced

Owner 2
Purchased: 2024

Personal Vehicle
12,480 mi/yr

Date	Mileage	Source	Comments
02/10/2024	37,571	North Carolina Motor Vehicle Dept. Rocky Mount, NC	Odometer reading reported
02/21/2024		North Carolina Motor Vehicle Dept. Rocky Mount, NC Title #774188240529107	Title or registration issued - New owner reported - Loan or lien reported
05/02/2024		North Carolina Motor Vehicle Dept. Rocky Mount, NC Title #774188240529107	Registration issued or renewed - Loan or lien reported
12/06/2024	49,005	Pridgen Tire & Auto Center Inc Rocky Mount, NC 252-937-8473 pridgentire.com/ ❤️ 24 Customer Favorites	Vehicle serviced - Oil and filter changed
04/13/2025		North Carolina Motor Vehicle Dept. Rocky Mount, NC Title #774188240529107	Registration issued or renewed - Loan or lien reported
05/23/2025	54,933	BMW of Raleigh Raleigh, NC 919-876-5432 bmwofraleigh.com/ ❤️ 18 Customer Favorites	Vehicle serviced - Maintenance inspection completed - Alignment checked - Brake fluid flushed/changed - Brake system bled - Four wheel alignment performed - Tire condition and pressure checked

- Four wheel alignment performed
- Tire condition and pressure checked
- Tire(s) mounted

06/09/2025

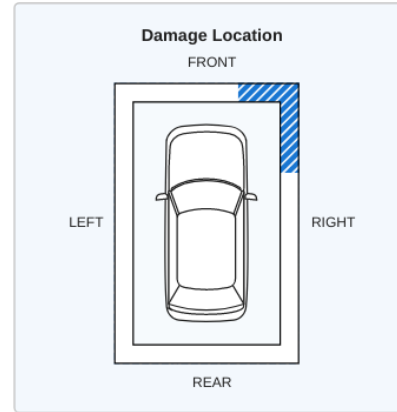
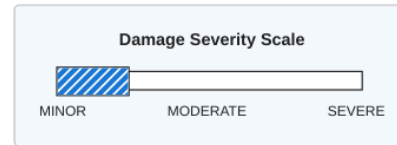
Damage Report



Accident reported: minor damage ⓘ

- Vehicle involved in a sideswipe collision
- Damage to right front
- Airbags did not deploy

CARFAX HAS THE MOST ACCIDENT & DAMAGE INFORMATION

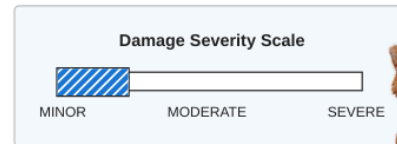


01/20/2026

Damage Report



Damage reported: minor damage ⓘ



02/13/2026

62,668

BMW of Raleigh
Raleigh, NC
919-876-5432
bmwofraleigh.com/

♥ 18 Customer Favorites



Vehicle serviced

- Maintenance inspection completed
- Front shock absorber(s) replaced

03/04/2026

North Carolina
Motor Vehicle Dept.

Title or registration issued to insurance company

03/04/2026

North Carolina
Motor Vehicle Dept.
Clayton, NC
Title #40210926063481A



TOTAL LOSS VEHICLE
- SALVAGE TITLE/CERTIFICATE ISSUED



There are many reasons an insurance company will declare a vehicle a total loss. Have this vehicle inspected by a qualified technician before you buy. [Learn More](#)

Have Questions? Consumers, please visit our Help Center at www.carfax.com. Dealers or Subscribers, please visit our Help Center at www.carfaxonline.com.

Accident Indicator

CARFAX receives information about accidents in all 50 states, the District of Columbia and Canada.

Not every accident is reported to CARFAX. As details about the accident become available, those additional details are added to the CARFAX Vehicle History Report. CARFAX recommends that you have this vehicle inspected by a qualified mechanic.

- According to the National Safety Council, Injury Facts, 2021 edition, 5% of the 276 million registered vehicles in the U.S. were involved in an accident in 2019. Over 77% of these were considered minor or moderate.
- This CARFAX Vehicle History Report is based only on information supplied to CARFAX and available as of 3/14/26 at 1:04:43 AM (CDT). Other

- This CARFAX Vehicle History Report is based only on information supplied to CARFAX and available as of 3/14/26 at 1:04:43 AM (CDT). Other information about this vehicle, including problems, may not have been reported to CARFAX. Use this report as one important tool, along with a vehicle inspection and test drive, to make a better decision about your next used car.

Damage Indicator

Damage can be a result of many different types of events. Examples include contact with objects (other cars, trees, traffic signs, road debris, etc), vandalism, or weather-related events. Not every damage event is reported to CARFAX. As details about the damage event become available, those additional details are added to the CARFAX Vehicle History Report. CARFAX recommends that you have this vehicle inspected by a qualified mechanic.

- This CARFAX Vehicle History Report is based only on information supplied to CARFAX and available as of 3/14/26 at 1:04:43 AM (CDT). Other information about this vehicle, including problems, may not have been reported to CARFAX. Use this report as one important tool, along with a vehicle inspection and test drive, to make a better decision about your next used car.

Damage Severity

Damage events result in one of the following severity levels:

- Minor: Generally, minor damage is cosmetic (including dents or scratches), may only require reconditioning, and typically does not compromise a vehicle's operation and/or safety.
- Moderate: Moderate damage may affect multiple components of the vehicle and may impair the vehicle's operation and/or safety.
- Severe: Severe damage usually affects multiple components of the vehicle and is likely to compromise the vehicle's operation and/or safety.

CARFAX recommends getting a pre-purchase inspection at a certified collision repair facility.

First Owner

When the first owner(s) obtains a title from a Department of Motor Vehicles as proof of ownership.

New Owner Reported

When a vehicle is sold to a new owner, the Title must be transferred to the new owner(s) at a Department of Motor Vehicles.

Ownership History

CARFAX defines an owner as an individual or business that possesses and uses a vehicle. Not all title transactions represent changes in ownership. To provide estimated number of owners, CARFAX proprietary technology analyzes all the events in a vehicle history. Estimated ownership is available for vehicles manufactured after 1991 and titled solely in the US including Puerto Rico. Dealers sometimes opt to take ownership of a vehicle and are required to in the following states: Maine, Massachusetts, New Jersey, Ohio, Oklahoma, Pennsylvania and South Dakota. Please consider this as you review a vehicle's estimated ownership history.

Salvage Title

A Salvage Title is issued on a vehicle damaged to the extent that the cost of repairing the vehicle exceeds approximately 75% of its pre-damage value. This damage threshold may vary by state. Some states treat Junk titles the same as Salvage but the majority use this title to indicate that a vehicle is not road worthy and cannot be titled again in that state. The following eleven states also use Salvage titles to identify stolen vehicles - AZ, FL, GA, IL, MD, MN, NJ, NM, NY, OK and OR.

Title Issued

A state issues a title to provide a vehicle owner with proof of ownership. Each title has a unique number. Each title or registration record on a CARFAX report does not necessarily indicate a change in ownership. In Canada, a registration and bill of sale are used as proof of ownership.

Total Loss Vehicle

An insurance or fleet company declares a vehicle a total loss when a claim exceeds approximately 75% of its pre-damage value or if the vehicle is stolen and not recovered. This damage threshold varies by company. These companies typically take possession and obtain the title. Not all total loss vehicles result in a DMV-reported branded title. This may occur when an insurance company's definition of a total loss is different than the state DMV's definition for a branded title or when the owner of the vehicle is a self-insured company, like a fleet or rental company.

Follow Us:



facebook.com/CARFAX



[@CARFAXinc](https://twitter.com/CARFAXinc)



About CARFAX

CARFAX DEPENDS ON ITS SOURCES FOR THE ACCURACY AND RELIABILITY OF ITS INFORMATION. THEREFORE, NO RESPONSIBILITY IS ASSUMED BY CARFAX OR ITS AGENTS FOR ERRORS OR OMISSIONS IN THIS REPORT. CARFAX FURTHER EXPRESSLY DISCLAIMS ALL WARRANTIES, EXPRESS OR IMPLIED, INCLUDING ANY IMPLIED WARRANTIES OF MERCHANTABILITY OR FITNESS FOR A PARTICULAR PURPOSE.

© 2026 CARFAX, Inc., part of S&P Global. All rights reserved.
3/14/26 1:04:43 AM (CDT)

I have reviewed and received a copy of the CARFAX Vehicle History Report for this 2021 BMW X3 vehicle (VIN: 5UXTS1C09M9F43004), which is based on information supplied to CARFAX and available as of 3/14/26 at 2:04 AM (EDT).

Customer Signature

Date

Dealer Signature

Date

