

2023 Tesla Model 3

11,406 mi | VIN: 5YJ3E1EA7PF610320

[Vehicle Details](#) ▾

CARFAX HAS THE MOST ACCIDENT & DAMAGE INFORMATION



ACCIDENT

Total Loss Vehicle

CARFAX VALUE \$22,410

[Update Trim & Options](#)

1 Service History Record

2 Previous Owners

Personal Vehicle

Last Owned in Florida

22 Detailed Records Available

This CARFAX Vehicle History Report is based only on [information](#) supplied to CARFAX and available as of 6/10/26 at 1:33:23 AM (CDT). Other information about this vehicle, including problems, may not have been reported to CARFAX. Use this report as one important tool, along with a vehicle inspection and test drive, to make a better decision about your next used car.

CARFAX Accident / Damage History

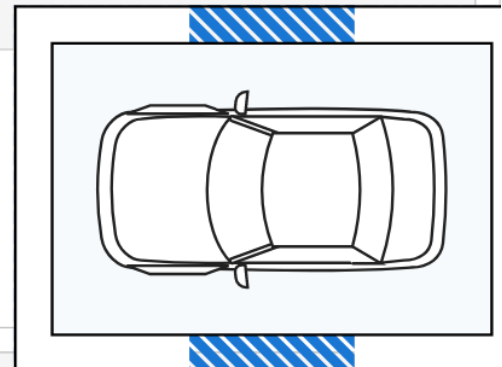
Not all accidents / issues are reported to CARFAX

Event 1

03/14/2025

Accident reported

[View More Details](#) >



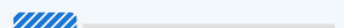
Event 2

06/26/2025

Accident reported: minor damage with another motor vehicle ⓘ

-Airbags did not deploy

Damage Severity Scale

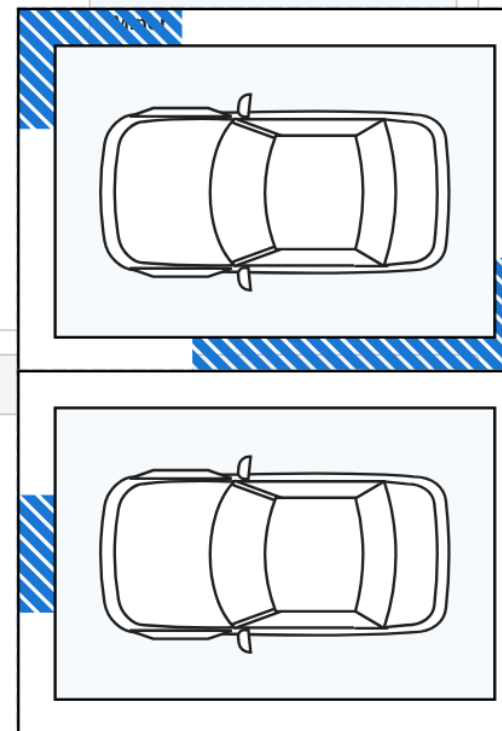


Accident reported: minor damage with another motor vehicle ⓘ

-Airbags did not deploy

[View More Details >](#)

Damage Severity Scale



Event 3

03/17/2026

Accident reported

- It hit an impact attenuator
- Vehicle ran off road
- Disabling damage reported
- Vehicle towed
- Multiple airbags deployed

[View More Details >](#)

[Show More v](#)

CARFAX History-Based Value

\$22,410

CARFAX Retail Value

History events affecting this vehicle's value

- ↑ 🏠 Personal Vehicle
- ↓ ⚠️ Airbag Deployed
- ↓ 🚨 Total Loss
- ↓ ⚠️ Accident Reported

CARFAX Additional History

Not all accidents / issues are reported to CARFAX

	👤 Owner 1	👤 Owner 2
Total Loss ⓘ Total Loss Reported: 03/17/2026.	✓	Total Loss Reported
Structural Damage ⓘ CARFAX recommends that you have this vehicle inspected by a collision repair specialist.	✓	✓
Airbag Deployment ⓘ Airbag deployment reported: 03/17/2026.	✓	Airbag Deployment
Odometer Check ⓘ No indication of an odometer rollback.	✓	✓
Accident / Damage ⓘ Accidents reported: 03/14/2025, 06/26/2025, and 03/17/2026.	Accident Reported	Accident Reported
Manufacturer Recall ⓘ Check with an authorized Tesla dealer for any open recalls.	Ask Your Dealer	Ask Your Dealer

Check with an authorized Tesla dealer for any open recalls.

Basic Warranty ⓘ

[Original warranty](#) estimated to have 14 months or 38,594 miles remaining. Confirm with dealer or vehicle manufacturer.



CARFAX Title History

CARFAX guarantees the information in this section

Owner 1

Owner 2

Damage Brands ⓘ

Salvage | Junk | Rebuilt | Fire | Flood | Hail | Lemon



Odometer Brands ⓘ

Not Actual Mileage | Exceeds Mechanical Limits



GUARANTEED - None of these title problems were reported by a U.S. state Department of Motor Vehicles (DMV). If you find that any of these title problems were reported by a DMV and not included in this report, you may qualify.

[View Terms](#) | [View Certificate](#)

CARFAX Ownership History

The number of owners is estimated

Owner 1

Owner 2

Year purchased

2023

2025

Type of owner

Personal

Personal

Estimated length of ownership

1 yr. 1 mo.

11 months

Owned in the following states/provinces

[See Details](#)

Florida, Montana

Estimated miles driven per year

12,072/yr

Last reported odometer reading

11,406

CARFAX Detailed History

[Glossary](#)



Owner 1





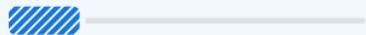
Purchased: 2023


Personal Vehicle

12,072 mi/yr

Date	Mileage	Source	Comments
06/28/2023	15	California Motor Vehicle Dept. Los Angeles, CA	Odometer reading reported
07/04/2023	349	Jiffy Lube Highland, CA 909-863-0128 jiffylube.com/ 3,821 Customer Favorites	Vehicle serviced
07/18/2023		California Motor Vehicle Dept. Los Angeles, CA	Title issued or updated -First owner reported -Titled or registered as personal vehicle -Loan or lien reported
06/26/2024	11,378	Inspection Report	Inspection performed
07/16/2024		California Motor Vehicle Dept. Los Angeles, CA	Title issued or updated -Loan or lien reported





Los Angeles, CA

08/08/2024		Montana Motor Vehicle Dept.	Vehicle purchase reported
03/06/2025		Montana Motor Vehicle Dept. Fremont, CA Title #AA8409798	Title issued or updated -Dealer took title of this vehicle while it was in inventory -Vehicle color noted as Blue
03/14/2025		Damage Report	Accident reported -Damage to right side -Damage to left side
CARFAX HAS THE MOST ACCIDENT & DAMAGE INFORMATION			<div style="border: 1px solid #ccc; padding: 5px; text-align: center;"> Damage Location FRONT LEFT RIGHT REAR </div>
04/21/2025		Online Listing	Vehicle offered for sale
04/25/2025	11,406	Auto Auction	Vehicle sold
04/29/2025		Super Autos Hialeah Hialeah, FL 786-818-2335 superautosenhialeah.com/	Vehicle offered for sale
05/10/2025		Florida Motor Vehicle Dept. Miami, FL	Registration issued or renewed -Titled or registered as personal vehicle -Vehicle color noted as Blue
05/23/2025		Florida Motor Vehicle Dept.	Vehicle purchase reported
05/29/2025		Florida Motor Vehicle Dept. Miami, FL	Registration issued or renewed -Titled or registered as personal vehicle -Vehicle color noted as Blue
06/26/2025		Damage Report	Accident reported: minor damage with another motor vehicle  -Damage to left rear -Damage to left side -Damage to right front -Airbags did not deploy
CARFAX HAS THE MOST ACCIDENT & DAMAGE INFORMATION			<div style="border: 1px solid #ccc; padding: 5px; text-align: center;"> Damage Severity Scale  Minor Moderate Severe </div> <div style="border: 1px solid #ccc; padding: 5px; text-align: center; margin-top: 5px;"> Damage Location FRONT LEFT RIGHT REAR </div>

 **Owner 2**
Purchased: 2025

Personal Vehicle

Date	Mileage	Source	Comments
06/26/2025		Florida Motor Vehicle Dept.	Title issued or updated -Registration issued or renewed

06/26/2025	Florida Motor Vehicle Dept. Miami, FL Title #0159615813	Title issued or updated -Registration issued or renewed -New owner reported -Titled or registered as personal vehicle -Loan or lien reported -Vehicle color noted as Blue
09/18/2025	Montana Motor Vehicle Dept. Fremont, CA Title #AB0893629	Title issued or updated -Dealer took title of this vehicle while it was in inventory -Vehicle color noted as Blue
10/06/2025	Florida Motor Vehicle Dept. Miami, FL Title #0160805589	Title issued or updated -Registration issued or renewed -Titled or registered as personal vehicle -Loan or lien reported -Vehicle color noted as Blue
01/15/2026	Florida Motor Vehicle Dept. Miami, FL Title #0160805589	Registration issued or renewed -Titled or registered as personal vehicle -Loan or lien reported -Vehicle color noted as Blue
03/17/2026 	Damage Report 	Accident reported -It hit an impact attenuator -Vehicle ran off road -Damage to front -Disabling damage reported -Vehicle towed -Multiple airbags deployed CARFAX Airbag Tips
	CARFAX HAS THE MOST ACCIDENT & DAMAGE INFORMATION	<div style="border: 1px solid #ccc; padding: 5px; text-align: center;">Damage Location FRONT LEFT RIGHT REAR</div>
03/17/2026 	Damage Report 	TOTAL LOSS VEHICLE -Vehicle declared a total loss by an insurance company -Collision damage reported
		<div style="border: 1px solid #ccc; padding: 5px;"><p>There are many reasons an insurance company will declare a vehicle a total loss. Have this vehicle inspected by a qualified technician before you buy. Learn More</p></div>
05/18/2026	Florida Motor Vehicle Dept. Miami, FL Title #0160805589	Registration issued or renewed -Titled or registered as personal vehicle -Vehicle color noted as Blue

Have Questions? Consumers, please visit our Help Center at www.carfax.com. Dealers or Subscribers, please visit our Help Center at www.carfaxonline.com.

Accident Indicator

CARFAX receives information about accidents in all 50 states, the District of Columbia and Canada.

Not every accident is reported to CARFAX. As details about the accident become available, those additional details are added to the CARFAX Vehicle History Report. CARFAX recommends that you have this vehicle inspected by a qualified mechanic.

- According to the National Safety Council, Injury Facts, 2021 edition, 5% of the 276 million registered vehicles in the U.S. were involved in an accident in 2019. Over 77% of these were considered minor or moderate.
- This CARFAX Vehicle History Report is based only on information supplied to CARFAX and available as of 6/10/26 at 1:33:23 AM (CDT). Other information about this vehicle, including problems, may not have been reported to CARFAX. Use this report as one important tool, along with a vehicle

- This CARFAX Vehicle History Report is based only on information supplied to CARFAX and available as of 6/10/26 at 1:33:23 AM (CDT). Other information about this vehicle, including problems, may not have been reported to CARFAX. Use this report as one important tool, along with a vehicle inspection and test drive, to make a better decision about your next used car.

Airbag Deployment

Occurs when the driver, passenger or side airbag has been used or deployed during a crash or other incident. If an airbag has been deployed, it must be replaced by a qualified technician. Have this car inspected by a mechanic prior to purchase.

Damage Indicator

Damage can be a result of many different types of events. Examples include contact with objects (other cars, trees, traffic signs, road debris, etc), vandalism, or weather-related events. Not every damage event is reported to CARFAX. As details about the damage event become available, those additional details are added to the CARFAX Vehicle History Report. CARFAX recommends that you have this vehicle inspected by a qualified mechanic.

- This CARFAX Vehicle History Report is based only on information supplied to CARFAX and available as of 6/10/26 at 1:33:23 AM (CDT). Other information about this vehicle, including problems, may not have been reported to CARFAX. Use this report as one important tool, along with a vehicle inspection and test drive, to make a better decision about your next used car.

Damage Severity

Damage events result in one of the following severity levels:

- Minor: Generally, minor damage is cosmetic (including dents or scratches), may only require reconditioning, and typically does not compromise a vehicle's operation and/or safety.
- Moderate: Moderate damage may affect multiple components of the vehicle and may impair the vehicle's operation and/or safety.
- Severe: Severe damage usually affects multiple components of the vehicle and is likely to compromise the vehicle's operation and/or safety.

CARFAX recommends getting a pre-purchase inspection at a certified collision repair facility.

First Owner

When the first owner(s) obtains a title from a Department of Motor Vehicles as proof of ownership.

New Owner Reported

When a vehicle is sold to a new owner, the Title must be transferred to the new owner(s) at a Department of Motor Vehicles.

Ownership History

CARFAX defines an owner as an individual or business that possesses and uses a vehicle. Not all title transactions represent changes in ownership. To provide estimated number of owners, CARFAX proprietary technology analyzes all the events in a vehicle history. Estimated ownership is available for vehicles manufactured after 1991 and titled solely in the US including Puerto Rico. Dealers sometimes opt to take ownership of a vehicle and are required to in the following states: Maine, Massachusetts, New Jersey, Ohio, Oklahoma, Pennsylvania and South Dakota. Please consider this as you review a vehicle's estimated ownership history.

Title Issued

A state issues a title to provide a vehicle owner with proof of ownership. Each title has a unique number. Each title or registration record on a CARFAX report does not necessarily indicate a change in ownership. In Canada, a registration and bill of sale are used as proof of ownership.

Total Loss Vehicle

An insurance or fleet company declares a vehicle a total loss when a claim exceeds approximately 75% of its pre-damage value or if the vehicle is stolen and not recovered. This damage threshold varies by company. These companies typically take possession and obtain the title. Not all total loss vehicles result in a DMV-reported branded title. This may occur when an insurance company's definition of a total loss is different than the state DMV's definition for a branded title or when the owner of the vehicle is a self-insured company, like a fleet or rental company.

Follow Us:



[facebook.com/CARFAX](https://www.facebook.com/CARFAX)



[@CARFAXinc](https://twitter.com/CARFAXinc)



About CARFAX

CARFAX DEPENDS ON ITS SOURCES FOR THE ACCURACY AND RELIABILITY OF ITS INFORMATION. THEREFORE, NO RESPONSIBILITY IS ASSUMED BY CARFAX OR ITS AGENTS FOR ERRORS OR OMISSIONS IN THIS REPORT. CARFAX FURTHER EXPRESSLY DISCLAIMS ALL WARRANTIES, EXPRESS OR IMPLIED, INCLUDING ANY IMPLIED WARRANTIES OF MERCHANTABILITY OR FITNESS FOR A PARTICULAR PURPOSE.

© 2026 CARFAX, Inc., part of S&P Global. All rights reserved.
6/10/26 1:33:23 AM (CDT)

I have reviewed and received a copy of the CARFAX Vehicle History Report for this 2023 TESLA MODEL 3 vehicle (VIN: 5YJ3E1EA7PF610320), which is based on information supplied to CARFAX and available as of 6/10/26 at 2:33 AM (EDT).

Customer Signature

Date

Dealer Signature

Date