

## 2023 TESLA MODEL Y LONG RANGE

VIN: 7SAYGDEE6PF685422  
 4 DOOR WAGON/SPORT UTILITY  
 ELECTRIC  
 ALL WHEEL DRIVE

Branded Title: Salvage >

CARFAX 1-Owner vehicle >

Personal vehicle >

12 Detailed records available >



This CARFAX Vehicle History Report is based only on [information](#) supplied to CARFAX and available as of 11/21/25 at 5:43:45 AM (CST). Other information about this vehicle, including problems, may not have been reported to CARFAX. Use this report as one important tool, along with a vehicle inspection and test drive, to make a better decision about your next used car.

Not all accidents / issues are reported to CARFAX

### Event 1

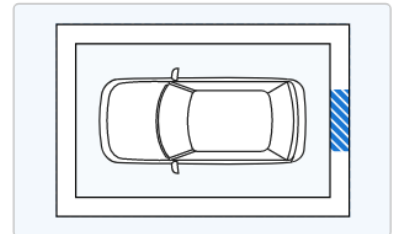
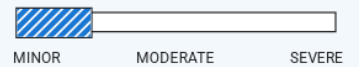
08/29/2023

#### Accident reported: minor damage

- Vehicle involved in a rear-end collision

[View More Details >](#)

#### Damage Severity Scale



### Event 2

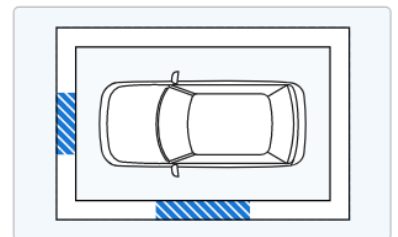
05/21/2025

#### Accident reported

- Disabling damage reported

- Airbag deployed

[View More Details >](#)



### Event 3

06/16/2025

#### TOTAL LOSS VEHICLE

[View More Details >](#)

**CARFAX** Additional History

Not all accidents / Issues are reported to CARFAX

Owner 1

**Total Loss** ⓘ

Total Loss Reported: 06/16/2025.

[Total Loss Reported](#)**Structural Damage** ⓘ

CARFAX recommends that you have this vehicle inspected by a collision repair specialist.

**Airbag Deployment** ⓘ

Airbag deployment reported: 05/21/2025.

[Airbag Deployment](#)**Odometer Check** ⓘ

No indication of an odometer rollback.

**Accident / Damage** ⓘ

DMV title problems reported. Accidents reported: 08/29/2023 and 05/21/2025.

[Severe Damage](#)**Manufacturer Recall** ⓘ

Check with an authorized Tesla dealer for any open recalls.

**Ask Your Dealer****Basic Warranty** ⓘ

Original manufacturer warranty likely voided by manufacturer.

**Warranty Voided****CARFAX** Title History

Owner 1

**Damage Brands** ⓘ

Salvage | Junk | Rebuilt | Fire | Flood | Hail | Lemon

**Alert!**  
Problem Found**Odometer Brands** ⓘ

Not Actual Mileage | Exceeds Mechanical Limits

No Problem

**ALERT!** - Severe problems were reported by a state Department of Motor Vehicles (DMV). This vehicle does not qualify for the CARFAX Buyback Guarantee.**CARFAX** Ownership History

The number of owners is estimated

Owner 1

Year purchased

2023

Type of owner

Personal

Estimated length of ownership

2 yrs. 2 mo.

Owned in the following states/provinces

Georgia

Estimated miles driven per year

--


Last reported odometer reading

--

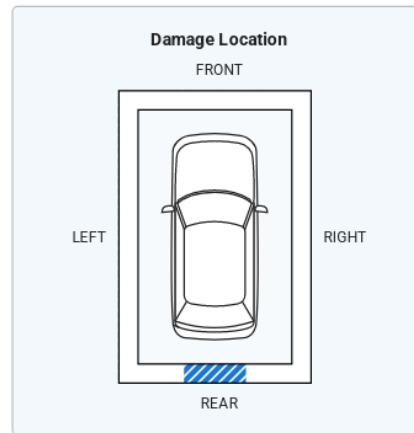
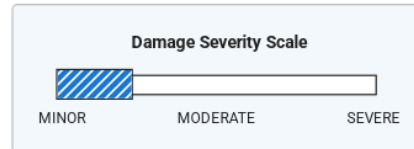
**CARFAX** Detailed History[Glossary](#)**Owner 1**

Purchased: 2023

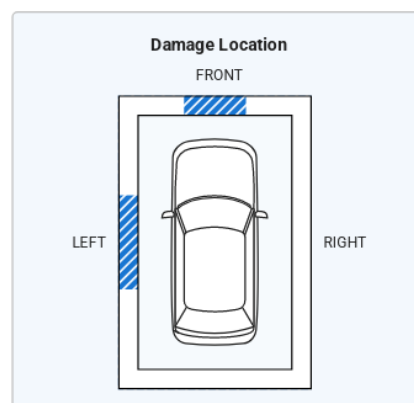
Personal Vehicle

Date	Mileage	Source	Comments
04/06/2023		Georgia Motor Vehicle Dept.	<b>Vehicle purchase reported</b> - Titled or registered as personal vehicle
04/19/2023		Georgia Motor Vehicle Dept. Lilburn, GA Title #770152265995965	<b>Title issued or updated</b> - Title or registration issued - First owner reported - Vehicle color noted as White
08/29/2023 		Damage Report	<b>Accident reported: minor damage</b> ⓘ - Vehicle involved in a rear-end collision - Damage to rear
09/06/2023		Georgia Motor Vehicle Dept. Lilburn, GA Title #770152265995965	<b>Registration issued or renewed</b> - Vehicle color noted as White
01/18/2024		Georgia Motor Vehicle Dept. Lilburn, GA Title #770152265995965	<b>Registration issued or renewed</b> - Vehicle color noted as White
08/23/2024		Georgia Motor Vehicle Dept. Lilburn, GA Title #770152265995965	<b>Registration issued or renewed</b> - Vehicle color noted as White




**CARFAX HAS THE MOST ACCIDENT & DAMAGE INFORMATION**



**CARFAX HAS THE MOST ACCIDENT & DAMAGE INFORMATION**





06/13/2025	Georgia Motor Vehicle Dept.	<b>Vehicle purchase reported</b>
06/16/2025 	Damage Report	<b>TOTAL LOSS VEHICLE</b>
		There are many reasons an insurance company will declare a vehicle a total loss. Have this vehicle inspected by a qualified technician before you buy. <a href="#">Learn More</a>
06/16/2025	Georgia Motor Vehicle Dept.	<b>Title or registration issued to insurance company</b>
06/16/2025 	Georgia Motor Vehicle Dept. Cleveland, OH Title #400238227182964	<b>SALVAGE TITLE/CERTIFICATE ISSUED</b> - Vehicle color noted as White
07/23/2025	Vehicle Exporter	<b>Vehicle exported from</b> - Savannah, GA and imported to - Ukraine

Have Questions? Consumers, please visit our Help Center at [www.carfax.com](http://www.carfax.com). Dealers or Subscribers, please visit our Help Center at [www.carfaxonline.com](http://www.carfaxonline.com).

**Accident Indicator**

CARFAX receives information about accidents in all 50 states, the District of Columbia and Canada.

Not every accident is reported to CARFAX. As details about the accident become available, those additional details are added to the CARFAX Vehicle History Report. CARFAX recommends that you have this vehicle inspected by a qualified mechanic.

- According to the National Safety Council, Injury Facts, 2021 edition, 5% of the 276 million registered vehicles in the U.S. were involved in an accident in 2019. Over 77% of these were considered minor or moderate.
- This CARFAX Vehicle History Report is based only on information supplied to CARFAX and available as of 11/21/25 at 5:43:45 AM (CST). Other information about this vehicle, including problems, may not have been reported to CARFAX. Use this report as one important tool, along with a vehicle inspection and test drive, to make a better decision about your next used car.

**Airbag Deployment**

Occurs when the driver, passenger or side airbag has been used or deployed during a crash or other incident. If an airbag has been deployed, it must be replaced by a qualified technician. Have this car inspected by a mechanic prior to purchase.

**Damage Indicator**

Damage can be a result of many different types of events. Examples include contact with objects (other cars, trees, traffic signs, road debris, etc), vandalism, or weather-related events. Not every damage event is reported to CARFAX. As details about the damage event become available, those additional details are added to the CARFAX Vehicle History Report. CARFAX recommends that you have this vehicle inspected by a qualified mechanic.

- This CARFAX Vehicle History Report is based only on information supplied to CARFAX and available as of 11/21/25 at 5:43:45 AM (CST). Other information about this vehicle, including problems, may not have been reported to CARFAX. Use this report as one important tool, along with a vehicle inspection and test drive, to make a better decision about your next used car.

**Damage Severity**

Damage events result in one of the following severity levels:

- Minor: Generally, minor damage is cosmetic (including dents or scratches), may only require reconditioning, and typically does not compromise a vehicle's operation and/or safety.
- Moderate: Moderate damage may affect multiple components of the vehicle and may impair the vehicle's operation and/or safety.
- Severe: Severe damage usually affects multiple components of the vehicle and is likely to compromise the vehicle's operation and/or safety.

CARFAX recommends getting a pre-purchase inspection at a certified collision repair facility.

CARFAX recommends getting a pre-purchase inspection at a certified collision repair facility.

#### First Owner

When the first owner(s) obtains a title from a Department of Motor Vehicles as proof of ownership.

#### Ownership History

CARFAX defines an owner as an individual or business that possesses and uses a vehicle. Not all title transactions represent changes in ownership. To provide estimated number of owners, CARFAX proprietary technology analyzes all the events in a vehicle history. Estimated ownership is available for vehicles manufactured after 1991 and titled solely in the US including Puerto Rico. Dealers sometimes opt to take ownership of a vehicle and are required to in the following states: Maine, Massachusetts, New Jersey, Ohio, Oklahoma, Pennsylvania and South Dakota. Please consider this as you review a vehicle's estimated ownership history.

#### Salvage Title




A Salvage Title is issued on a vehicle damaged to the extent that the cost of repairing the vehicle exceeds approximately 75% of its pre-damage value. This damage threshold may vary by state. Some states treat Junk titles the same as Salvage but the majority use this title to indicate that a vehicle is not road worthy and cannot be titled again in that state. The following eleven states also use Salvage titles to identify stolen vehicles - AZ, FL, GA, IL, MD, MN, NJ, NM, NY, OK and OR.

#### Title Issued

A state issues a title to provide a vehicle owner with proof of ownership. Each title has a unique number. Each title or registration record on a CARFAX report does not necessarily indicate a change in ownership. In Canada, a registration and bill of sale are used as proof of ownership.

#### Total Loss Vehicle

An insurance or fleet company declares a vehicle a total loss when a claim exceeds approximately 75% of its pre-damage value or if the vehicle is stolen and not recovered. This damage threshold varies by company. These companies typically take possession and obtain the title. Not all total loss vehicles result in a DMV-reported branded title. This may occur when an insurance company's definition of a total loss is different than the state DMV's definition for a branded title or when the owner of the vehicle is a self-insured company, like a fleet or rental company.

Follow Us:  [facebook.com/CARFAX](https://facebook.com/CARFAX)  [@CARFAXinc](https://twitter.com/CARFAXinc)  [About CARFAX](#)

CARFAX DEPENDS ON ITS SOURCES FOR THE ACCURACY AND RELIABILITY OF ITS INFORMATION. THEREFORE, NO RESPONSIBILITY IS ASSUMED BY CARFAX OR ITS AGENTS FOR ERRORS OR OMISSIONS IN THIS REPORT. CARFAX FURTHER EXPRESSLY DISCLAIMS ALL WARRANTIES, EXPRESS OR IMPLIED, INCLUDING ANY IMPLIED WARRANTIES OF MERCHANTABILITY OR FITNESS FOR A PARTICULAR PURPOSE.

© 2025 CARFAX, Inc., part of S&P Global. All rights reserved.  
11/21/25 5:43:45 AM (CST)

**I have reviewed and received a copy of the CARFAX Vehicle History Report for this 2023 TESLA MODEL Y vehicle (VIN: 7SAYGDEE6PF685422), which is based on information supplied to CARFAX and available as of 11/21/25 at 6:43 AM (EST).**

Customer Signature

Date

Dealer Signature

Date