

## CARFAX History-Based Value Report

[Hide](#)

# \$19,470

CARFAX Retail Value

Retail
  Wholesale

### History events affecting this vehicle's value

- 1-Owner Vehicle
- Personal Vehicle
- Salvage Brand
- Airbag Deployed

## CARFAX Vehicle History Report™

US \$44.99

### 2021 AUDI Q5 PREMIUM

VIN: WA1AAAFY1M2086377  
 4 DOOR WAGON/SPORT UTILITY  
 2.0L I4 F DOHC 16V  
 GASOLINE  
 ALL WHEEL DRIVE

Branded Title: Salvage >

4 Service history records >

At least 1 open recall >

CARFAX 1-Owner vehicle >

Personal lease vehicle >

12,000 Last reported odometer reading >

CARFAX HAS THE MOST ACCIDENT & DAMAGE INFORMATION



This CARFAX Vehicle History Report is based only on [information](#) supplied to CARFAX and available as of 12/10/25 at 5:00:25 PM (CST). Other information about this vehicle, including problems, may not have been reported to CARFAX. Use this report as one important tool, along with a vehicle inspection and test drive, to make a better decision about your next used car.

## CARFAX Accident / Damage History

Not all accidents / issues are reported to CARFAX

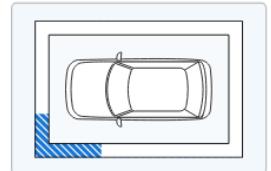
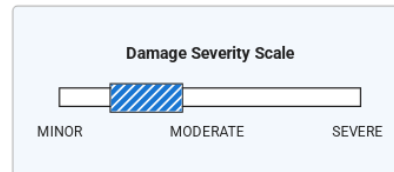
### Event 1

12/29/2022

**Accident reported: minor to moderate damage**

- Vehicle involved in a rear-end collision
- It hit a median
- Vehicle towed

[View More Details >](#)



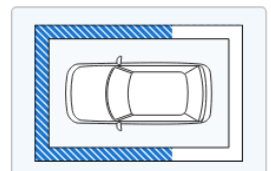
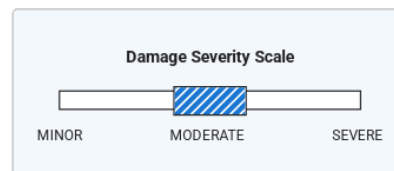
### Event 2

09/20/2024

**Damage reported: moderate damage**

- Airbag deployed

[View More Details >](#)



### Event 3

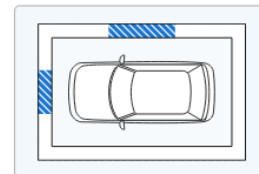
Event 3

11/21/2025

**TOTAL LOSS VEHICLE**

- Accident reported

[View More Details >](#)



**CARFAX**

**Additional History**

Not all accidents / issues are reported to CARFAX

Owner 1

**Total Loss** ⓘ

Total Loss Reported: 11/21/2025.

[Total Loss Reported](#)

**Structural Damage** ⓘ

CARFAX recommends that you have this vehicle inspected by a collision repair specialist.

No Issues Reported

**Airbag Deployment** ⓘ

Airbag deployment reported: 09/20/2024.

[Airbag Deployment](#)

**Odometer Check** ⓘ

No indication of an odometer rollback.

No Issues Indicated

**Accident / Damage** ⓘ

Accidents reported: 12/29/2022 and 11/21/2025. Damage reported: 09/20/2024.

[Severe Damage](#)

**Manufacturer Recall** ⓘ

At least 1 manufacturer recall requires service. Locate an authorized [Audi dealer](#) to obtain more information about this recall.

[Recall Reported](#)

**Basic Warranty** ⓘ

Original manufacturer warranty likely voided by manufacturer.

**Warranty Voided**

**CARFAX**

**Title History**

Owner 1

**Damage Brands** ⓘ

Salvage | Junk | Rebuilt | Fire | Flood | Hail | Lemon

**Alert!**  
Problem Found

**Odometer Brands** ⓘ

Not Actual Mileage | Exceeds Mechanical Limits

No Problem



**ALERT!** - Severe problems were reported by a state Department of Motor Vehicles (DMV). This vehicle does not qualify for the CARFAX Buyback Guarantee.

**CARFAX**

**Ownership History**

The number of owners is estimated

Owner 1

Year purchased

2021

Type of owner

Personal lease

Estimated length of ownership

4 yrs. 5 mo.

Owned in the following states/provinces


Texas

Estimated miles driven per year






2,707/yr

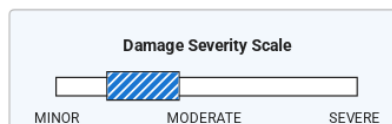
Last reported odometer reading

12,000

 **Owner 1**  
Purchased: 2021

Personal Lease Vehicle  
2,707 mi/yr

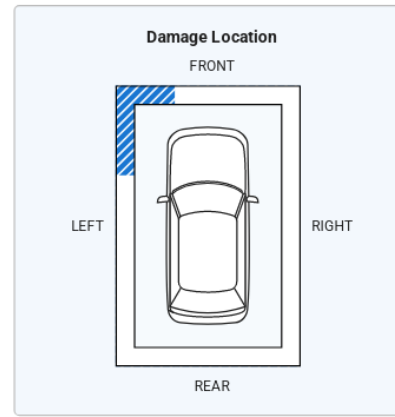
Date	Mileage	Source	Comments
Not Reported		NICB	<b>Vehicle manufactured and shipped to original dealer</b>
05/11/2021	11	Audi Plano Plano, TX 972-249-0905 audiplano.com  ★ 4.4 / 5.0 <a href="#">305 Verified Reviews</a> ✓ ♥ 300 Customer Favorites	 <b>Vehicle serviced</b> - Pre-delivery inspection completed - Brakes checked - Emissions or safety inspection performed - Window tint installed - Vehicle washed/detailed
06/17/2021	12	Texas Motor Vehicle Dept. Plano, TX Title #04336544354250171	<b>Title issued or updated</b> - First owner reported - Titled or registered as personal lease vehicle - Vehicle color noted as White
06/18/2021	555	Audi Plano Plano, TX 972-249-0905 audiplano.com  ★ 4.4 / 5.0 <a href="#">305 Verified Reviews</a> ✓ ♥ 300 Customer Favorites	 <b>Vehicle serviced</b> - Maintenance inspection completed - Battery/charging system checked - Brakes checked - Drivability/performance checked - Fuel injector(s) replaced - Fuel rail replaced - Intake manifold gasket(s) replaced - Tire condition and pressure checked
12/17/2021	4,533	Audi Plano Plano, TX 972-249-0905 audiplano.com  ★ 4.4 / 5.0 <a href="#">305 Verified Reviews</a> ✓ ♥ 300 Customer Favorites	 <b>Vehicle serviced</b> - Maintenance inspection completed - Battery/charging system checked - Brakes checked - Tires rotated
05/24/2022	8,647	Audi Dominion San Antonio, TX 210-681-3399 audidominion.com/  ★ 4.5 / 5.0 <a href="#">1,047 Verified Reviews</a> ✓ ♥ 14,731 Customer Favorites	 <b>Vehicle serviced</b> - Maintenance inspection completed - 10,000 mile service performed - Oil pan drain plug replaced - Vehicle washed/detailed
10/14/2022		Audi	<b>Manufacturer Compliance Recall issued</b> - NHTSA #22V742 - Recall #91DZ REARVIEW CAMERA SOFTWARE - Status: Remedy Available  Locate an authorized <a href="#">Audi dealer</a> to obtain more information about this recall  <a href="#">+ Learn more about this recall</a>
12/29/2022		Damage Report	 <b>Accident reported: minor to moderate damage</b> ⓘ - Vehicle involved in a rear-end collision - It hit a median - Damage to left front - Vehicle towed



CARFAX HAS THE MOST ACCIDENT & DAMAGE INFORMATION



MINOR MODERATE SEVERE



09/20/2024

Damage Report



Damage reported: moderate damage ⓘ

- Damage to front
  - Damage to left front
  - Damage to left side
  - Damage to right front
  - Damage to right side
  - Airbag deployed
- [CARFAX Airbag Tips](#)

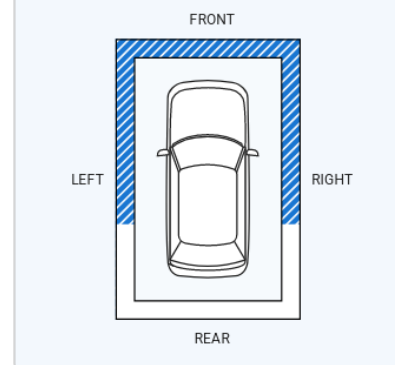
CARFAX HAS THE MOST ACCIDENT & DAMAGE INFORMATION



Damage Severity Scale



Damage Location



11/21/2025

Damage Report



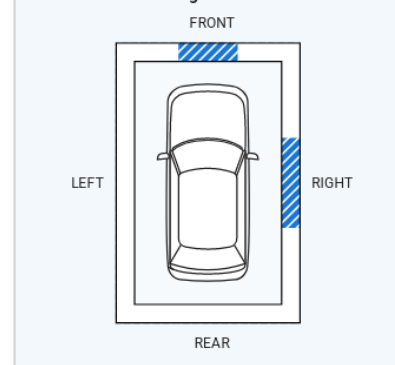
TOTAL LOSS VEHICLE

- Accident reported
- Damage to front
- Damage to right side

CARFAX HAS THE MOST ACCIDENT & DAMAGE INFORMATION



Damage Location




There are many reasons an insurance company will declare a vehicle a total loss. Have this vehicle inspected by a qualified technician before you buy. [Learn More](#)

11/21/2025

Texas Motor Vehicle Dept.

Title or registration issued to insurance company

Motor Vehicle Dept.

11/21/2025	12,000	Texas Motor Vehicle Dept. Wilmer, TX Title #29756045978250118		<b>SALVAGE TITLE/CERTIFICATE ISSUED</b> - Vehicle color noted as White
12/10/2025		Audi		<b>Connect Service available with subscription</b> <b>Connect offers services to enhance navigation, infotainment, and peace of mind</b> <a href="#">Learn more</a>

Have Questions? Consumers, please visit our Help Center at [www.carfax.com](http://www.carfax.com). Dealers or Subscribers, please visit our Help Center at [www.carfaxonline.com](http://www.carfaxonline.com).

## CARFAX Glossary

[Full Glossary](#)

### Accident Indicator

CARFAX receives information about accidents in all 50 states, the District of Columbia and Canada.

Not every accident is reported to CARFAX. As details about the accident become available, those additional details are added to the CARFAX Vehicle History Report. CARFAX recommends that you have this vehicle inspected by a qualified mechanic.

- According to the National Safety Council, Injury Facts, 2021 edition, 5% of the 276 million registered vehicles in the U.S. were involved in an accident in 2019. Over 77% of these were considered minor or moderate.
- This CARFAX Vehicle History Report is based only on information supplied to CARFAX and available as of 12/10/25 at 5:00:25 PM (CST). Other information about this vehicle, including problems, may not have been reported to CARFAX. Use this report as one important tool, along with a vehicle inspection and test drive, to make a better decision about your next used car.

### Airbag Deployment

Occurs when the driver, passenger or side airbag has been used or deployed during a crash or other incident. If an airbag has been deployed, it must be replaced by a qualified technician. Have this car inspected by a mechanic prior to purchase.

### Damage Indicator

Damage can be a result of many different types of events. Examples include contact with objects (other cars, trees, traffic signs, road debris, etc), vandalism, or weather-related events. Not every damage event is reported to CARFAX. As details about the damage event become available, those additional details are added to the CARFAX Vehicle History Report. CARFAX recommends that you have this vehicle inspected by a qualified mechanic.

- This CARFAX Vehicle History Report is based only on information supplied to CARFAX and available as of 12/10/25 at 5:00:25 PM (CST). Other information about this vehicle, including problems, may not have been reported to CARFAX. Use this report as one important tool, along with a vehicle inspection and test drive, to make a better decision about your next used car.

### Damage Severity

Damage events result in one of the following severity levels:

- Minor: Generally, minor damage is cosmetic (including dents or scratches), may only require reconditioning, and typically does not compromise a vehicle's operation and/or safety.
- Moderate: Moderate damage may affect multiple components of the vehicle and may impair the vehicle's operation and/or safety.
- Severe: Severe damage usually affects multiple components of the vehicle and is likely to compromise the vehicle's operation and/or safety.

CARFAX recommends getting a pre-purchase inspection at a certified collision repair facility.

### First Owner

When the first owner(s) obtains a title from a Department of Motor Vehicles as proof of ownership.

### Manufacturer Recall

Automobile manufacturers issue recall notices to inform vehicle owners of a safety defect or failure to meet minimum federal safety or emissions standards. Manufacturer recalls are repaired at no cost to the customer.

### Ownership History

CARFAX defines an owner as an individual or business that possesses and uses a vehicle. Not all title transactions represent changes in ownership. To provide estimated number of owners, CARFAX proprietary technology analyzes all the events in a vehicle history. Estimated ownership is available for vehicles manufactured after 1991 and titled solely in the US including Puerto Rico. Dealers sometimes opt to take ownership of a vehicle and are required to in the following states: Maine, Massachusetts, New Jersey, Ohio, Oklahoma, Pennsylvania and South Dakota. Please consider this as you review a vehicle's estimated ownership history.

### Salvage Title

A Salvage Title is issued on a vehicle damaged to the extent that the cost of repairing the vehicle exceeds approximately 75% of its pre-damage value. This damage threshold may vary by state. Some states treat Junk titles the same as Salvage but the majority use this title to indicate that a vehicle is not road worthy and cannot be titled again in that state. The following eleven states also use Salvage titles to identify stolen vehicles - AZ, FL, GA, IL, MD, MN, NJ, NM, NY, OK and OR.

### Title Issued




A state issues a title to provide a vehicle owner with proof of ownership. Each title has a unique number. Each title or registration record on a CARFAX report does not

**Title issued**

A state issues a title to provide a vehicle owner with proof of ownership. Each title has a unique number. Each title or registration record on a CARFAX report does not necessarily indicate a change in ownership. In Canada, a registration and bill of sale are used as proof of ownership.

**Total Loss Vehicle**

An insurance or fleet company declares a vehicle a total loss when a claim exceeds approximately 75% of its pre-damage value or if the vehicle is stolen and not recovered. This damage threshold varies by company. These companies typically take possession and obtain the title. Not all total loss vehicles result in a DMV-reported branded title. This may occur when an insurance company's definition of a total loss is different than the state DMV's definition for a branded title or when the owner of the vehicle is a self-insured company, like a fleet or rental company.

Follow Us:  [facebook.com/CARFAX](https://facebook.com/CARFAX)  [@CARFAXinc](https://twitter.com/CARFAXinc)  [About CARFAX](#)

CARFAX DEPENDS ON ITS SOURCES FOR THE ACCURACY AND RELIABILITY OF ITS INFORMATION. THEREFORE, NO RESPONSIBILITY IS ASSUMED BY CARFAX OR ITS AGENTS FOR ERRORS OR OMISSIONS IN THIS REPORT. CARFAX FURTHER EXPRESSLY DISCLAIMS ALL WARRANTIES, EXPRESS OR IMPLIED, INCLUDING ANY IMPLIED WARRANTIES OF MERCHANTABILITY OR FITNESS FOR A PARTICULAR PURPOSE.

© 2025 CARFAX, Inc., part of S&P Global. All rights reserved.  
12/10/25 5:00:25 PM (CST)

**I have reviewed and received a copy of the CARFAX Vehicle History Report for this 2021 AUDI Q5 vehicle (VIN: WA1AAFY1M2086377), which is based on information supplied to CARFAX and available as of 12/10/25 at 6:00 PM (EST).**

\_\_\_\_\_  
**Customer Signature**

\_\_\_\_\_  
**Date**

\_\_\_\_\_  
**Dealer Signature**

\_\_\_\_\_  
**Date**