

CARFAX History-Based Value Report

\$13,740

CARFAX Retail Value

History events affecting this vehicle's value

- Personal Vehicle
- Prior Certified Pre-Owned
- Airbag Deployed
- Accident Reported

CARFAX Vehicle History Report™

US \$44.99

2018 AUDI A5 SPORTBACK 2.0T QUATTRO PREMIUM PLUS

VIN: WAUENCF58JA088851
 HATCHBACK 4 DR
 2.0L I4 F DOHC 16V
 GASOLINE
 ALL WHEEL DRIVE

- Accident reported: airbag deployed >
- 4 Service history records >
- 4 Previous owners >
- Personal vehicle >
- Last owned in Colorado >
- 94,766** Last reported odometer reading >

This CARFAX Vehicle History Report is based only on [information](#) supplied to CARFAX and available as of 2/11/26 at 8:17:01 AM (CST). Other information about this vehicle, including problems, may not have been reported to CARFAX. Use this report as one important tool, along with a vehicle inspection and test drive, to make a better decision about your next used car.

CARFAX Accident / Damage History

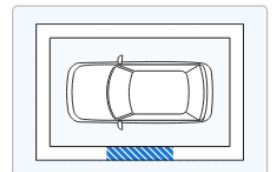
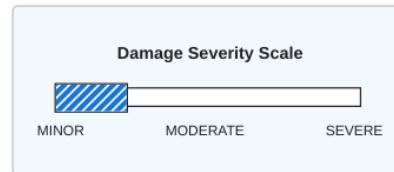
Not all accidents / issues are reported to CARFAX

Event 1

01/25/2020

Damage reported: minor damage ⓘ

[View More Details >](#)



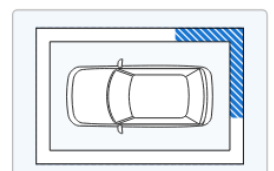
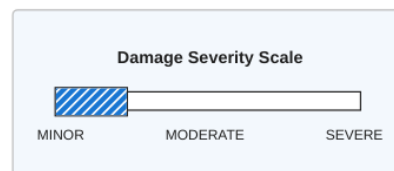
Event 2

02/12/2024

Accident reported: minor damage with another motor vehicle ⓘ

- Vehicle drivable
- Vehicle towed
- Airbags did not deploy

[View More Details >](#)

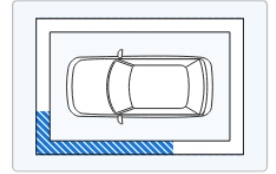


Event 3

06/01/2024

Accident reported

- Vehicle ran off road
- It hit a concrete traffic barrier
- Disabling damage reported
- Vehicle disabled
- Vehicle towed
- Front airbag deployed



[View More Details >](#)

[Show More >](#)

CARFAX Additional History Not all accidents / issues are reported to CARFAX	👤 Owners 1-2	👤 Owner 3	👤 Owner 4
Total Loss ⓘ No total loss reported to CARFAX.	✓ No Issues Reported	✓ No Issues Reported	✓ No Issues Reported
Structural Damage ⓘ CARFAX recommends that you have this vehicle inspected by a collision repair specialist.	✓ No Issues Reported	✓ No Issues Reported	✓ No Issues Reported
Airbag Deployment ⓘ Airbag deployment reported: 06/01/2024.	✓ No Issues Reported	Airbag Deployment	No New Issues Reported
Odometer Check ⓘ No indication of an odometer rollback.	✓ No Issues Indicated	✓ No Issues Indicated	✓ No Issues Indicated
Accident / Damage ⓘ Damage reported: 01/25/2020 and 11/25/2025. Accidents reported: 02/12/2024 and 06/01/2024.	Damage Reported	Accident Reported	Damage Reported
Manufacturer Recall ⓘ No open recalls reported to CARFAX.	✓ No Recalls Reported	✓ No Recalls Reported	✓ No Recalls Reported
Basic Warranty ⓘ Original warranty estimated to have expired.	Warranty Expired	Warranty Expired	Warranty Expired

CARFAX Title History CARFAX guarantees the information in this section	👤 Owners 1-2	👤 Owner 3	👤 Owner 4
Damage Brands ⓘ Salvage Junk Rebuilt Fire Flood Hail Lemon	✓ Guaranteed No Problem	✓ Guaranteed No Problem	✓ Guaranteed No Problem
Odometer Brands ⓘ Not Actual Mileage Exceeds Mechanical Limits	✓ Guaranteed No Problem	✓ Guaranteed No Problem	✓ Guaranteed No Problem



GUARANTEED - None of these title problems were reported by a U.S. state Department of Motor Vehicles (DMV). If you find that any of these title problems were reported by a DMV and not included in this report, you may qualify.
[View Terms](#) | [View Certificate](#)

CARFAX Ownership History The number of owners is estimated	👤 Owners 1-2	👤 Owner 3	👤 Owner 4
Year purchased	2018	2022	2025
Type of owner	Personal	Personal	Personal

Estimated length of ownership	3 yrs. 7 mo.	3 yrs. 3 mo.	2 months
Owned in the following states/provinces	See Details	Connecticut	Colorado
Estimated miles driven per year	See Details	22,552/yr	---
Last reported odometer reading	70,785	94,766	---


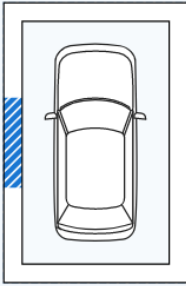
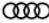


Detailed History

[Glossary](#)

Owner 1
Purchased: 2018

Personal Vehicle
15,984 mi/yr

Date	Mileage	Source	Comments
05/29/2018		NICB	Vehicle manufactured and shipped to original dealer
05/29/2018	5	Connecticut Motor Vehicle Dept. East Berlin, CT Title #AA1999591	Title issued or updated - Title or registration issued - First owner reported - Titled or registered as personal vehicle - Loan or lien reported - Vehicle color noted as Gray
01/25/2020		Damage Report	<p>Damage reported: minor damage</p> <p>- Damage to left side</p> <div style="display: flex; align-items: center;"> <div style="flex: 1;">  <p>CARFAX HAS THE MOST ACCIDENT & DAMAGE INFORMATION</p> </div> <div style="flex: 1;"> <div style="border: 1px solid #ccc; padding: 5px; margin-bottom: 5px;"> <p style="text-align: center; font-weight: bold;">Damage Severity Scale</p> <div style="display: flex; align-items: center;"> <div style="width: 20%; height: 10px; background: repeating-linear-gradient(45deg, transparent, transparent 2px, #0070c0 2px, #0070c0 4px);"></div> <div style="width: 80%; border: 1px solid #ccc; margin-left: 5px;"></div> </div> <div style="display: flex; justify-content: space-between; margin-top: 5px;"> MINOR MODERATE SEVERE </div> </div> <div style="border: 1px solid #ccc; padding: 5px;"> <p style="text-align: center; font-weight: bold;">Damage Location</p> <div style="text-align: center; margin-bottom: 5px;">FRONT</div> <div style="display: flex; justify-content: center; align-items: center;"> <div style="text-align: center;">LEFT</div> <div style="text-align: center;">  </div> <div style="text-align: center;">RIGHT</div> </div> <div style="text-align: center; margin-top: 5px;">REAR</div> </div> </div> </div>
05/18/2020	31,536	Audi Certified Dealer Wallingford, CT	Sold as an Audi Certified pre-owned vehicle
		 Audi Certified pre-owned	
06/17/2020		New York Motor Vehicle Dept. New York, NY	Registration issued or renewed - Titled or registered as personal vehicle - Passed safety inspection

Owner 2
Purchased: 2020

Personal Vehicle

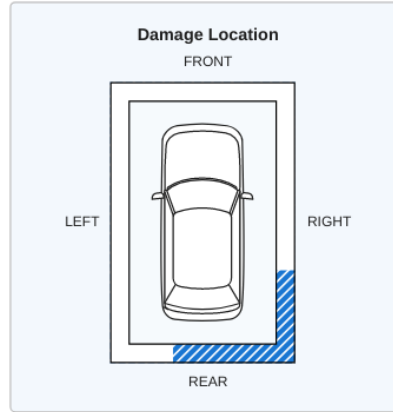
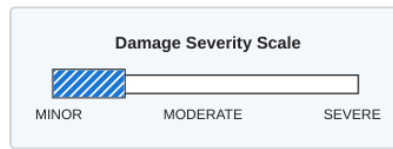
Date	Mileage	Source	Comments
08/13/2020		New York Motor Vehicle Dept	Title issued or updated - New owner reported

08/13/2020		New York Motor Vehicle Dept. New York, NY		Title issued or updated -New owner reported -Loan or lien reported
08/13/2021	58,506	Valvoline Instant Oil Change New Milford, CT 860-350-9397 vioc.com 265 Customer Favorites		Vehicle serviced -Oil and filter changed
01/22/2022	70,537	Hoffman Audi East Hartford, CT		Vehicle offered for sale
01/26/2022		Hoffman Audi East Hartford, CT 860-289-7721 hoffmanaudiohartford.com 449 Customer Favorites		Vehicle serviced -Maintenance inspection completed
			Looks like this dealer serviced the car in order to prepare it for sale. That's a good thing!	
02/10/2022	70,785	Hoffman Audi East Hartford, CT 860-289-7721 hoffmanaudiohartford.com 449 Customer Favorites		Vehicle serviced -Maintenance inspection completed -Antifreeze/coolant checked -Battery/charging system checked -Front wheel bearing(s)/hub(s) replaced -Oil additive/treatment added -Oil and filter changed -Oil pan drain plug replaced -Safety inspection performed -Wiper(s) replaced
03/14/2022		Hoffman Ford Lincoln East Hartford, CT 860-528-4811 hoffmanauto.com 152 Customer Favorites		Vehicle sold
03/14/2022		CareGard Warranty Services, Inc. Manchester, CT afgcompanies.com		Service contract issued

Owner 3 Personal Vehicle
Purchased: 2022 22,552 mi/yr

Date	Mileage	Source	Comments
05/11/2022	70,792	Connecticut Motor Vehicle Dept. Manchester, CT Title #AA4612265	Title or registration issued -New owner reported -Loan or lien reported -Vehicle color noted as Gray
06/03/2023	94,766	Hoffman Audi East Hartford, CT 860-289-7721 hoffmanaudiohartford.com 449 Customer Favorites	Vehicle serviced -Inspection performed -Alignment checked -Maintenance inspection completed -90,000 mile service performed -Brakes checked -Oil and filter changed -Oil pan drain plug replaced -Rear brake pads replaced -Rear brake rotor(s) replaced
02/12/2024		Damage Report	Accident reported: minor damage with another motor vehicle -Damage to rear -Damage to right rear -Vehicle drivable -Vehicle towed -Airbags did not deploy

CARFAX HAS THE MOST ACCIDENT & DAMAGE INFORMATION



06/01/2024

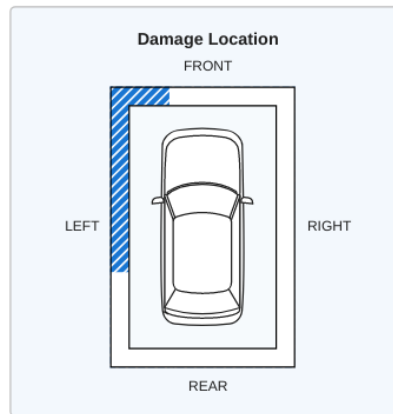
Damage Report



Accident reported

- Vehicle ran off road
 - It hit a concrete traffic barrier
 - Damage to left front
 - Damage to left side
 - Disabling damage reported
 - Vehicle disabled
 - Vehicle towed
 - Front airbag deployed
- [CARFAX Airbag Tips](#)

CARFAX HAS THE MOST ACCIDENT & DAMAGE INFORMATION



08/29/2025

Online Listing

Vehicle offered for sale

09/04/2025

Auto Auction

Vehicle sold

Owner 4
Purchased: 2025

Personal Vehicle

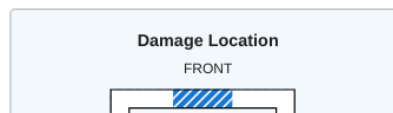
Date	Mileage	Source	Comments
09/04/2025		Colorado Motor Vehicle Dept.	Vehicle purchase reported
11/12/2025		Colorado Motor Vehicle Dept. Aurora, CO Title #014722010	Title issued or updated - New owner reported

11/25/2025

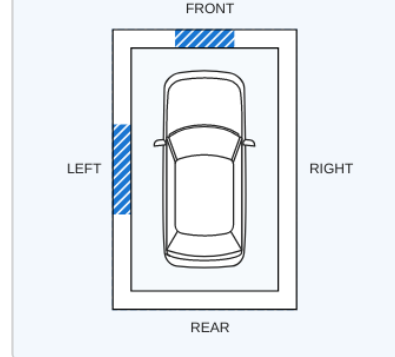
Damage Report



- Damage reported**
- Damage to left side
 - Damage to front



CARFAX HAS THE MOST ACCIDENT & DAMAGE INFORMATION



Not all damage is caused by an accident. Get the car inspected before you buy. [Learn More](#)

02/11/2026

Audi

Connect Service available with subscription

Connect offers services to enhance navigation, infotainment, and peace of mind

[Learn more](#)

Have Questions? Consumers, please visit our Help Center at www.carfax.com. Dealers or Subscribers, please visit our Help Center at www.carfaxonline.com.

CARFAX Glossary

[Full Glossary](#)

Accident Indicator

CARFAX receives information about accidents in all 50 states, the District of Columbia and Canada.

Not every accident is reported to CARFAX. As details about the accident become available, those additional details are added to the CARFAX Vehicle History Report. CARFAX recommends that you have this vehicle inspected by a qualified mechanic.

- According to the National Safety Council, Injury Facts, 2021 edition, 5% of the 276 million registered vehicles in the U.S. were involved in an accident in 2019. Over 77% of these were considered minor or moderate.
- This CARFAX Vehicle History Report is based only on information supplied to CARFAX and available as of 2/11/26 at 8:17:01 AM (CST). Other information about this vehicle, including problems, may not have been reported to CARFAX. Use this report as one important tool, along with a vehicle inspection and test drive, to make a better decision about your next used car.

Airbag Deployment

Occurs when the driver, passenger or side airbag has been used or deployed during a crash or other incident. If an airbag has been deployed, it must be replaced by a qualified technician. Have this car inspected by a mechanic prior to purchase.

Damage Indicator

Damage can be a result of many different types of events. Examples include contact with objects (other cars, trees, traffic signs, road debris, etc), vandalism, or weather-related events. Not every damage event is reported to CARFAX. As details about the damage event become available, those additional details are added to the CARFAX Vehicle History Report. CARFAX recommends that you have this vehicle inspected by a qualified mechanic.

- This CARFAX Vehicle History Report is based only on information supplied to CARFAX and available as of 2/11/26 at 8:17:01 AM (CST). Other information about this vehicle, including problems, may not have been reported to CARFAX. Use this report as one important tool, along with a vehicle inspection and test drive, to make a better decision about your next used car.

Damage Severity

Damage events result in one of the following severity levels:

- Minor: Generally, minor damage is cosmetic (including dents or scratches), may only require reconditioning, and typically does not compromise a vehicle's operation and/or safety.
- Moderate: Moderate damage may affect multiple components of the vehicle and may impair the vehicle's operation and/or safety.
- Severe: Severe damage usually affects multiple components of the vehicle and is likely to compromise the vehicle's operation and/or safety.

CARFAX recommends getting a pre-purchase inspection at a certified collision repair facility.

First Owner

When the first owner(s) obtains a title from a Department of Motor Vehicles as proof of ownership.

New Owner Reported

When a vehicle is sold to a new owner, the Title must be transferred to the new owner(s) at a Department of Motor Vehicles.

Ownership History

CARFAX defines an owner as an individual or business that possesses and uses a vehicle. Not all title transactions represent changes in ownership. To provide

Ownership History

CARFAX defines an owner as an individual or business that possesses and uses a vehicle. Not all title transactions represent changes in ownership. To provide estimated number of owners, CARFAX proprietary technology analyzes all the events in a vehicle history. Estimated ownership is available for vehicles manufactured after 1991 and titled solely in the US including Puerto Rico. Dealers sometimes opt to take ownership of a vehicle and are required to in the following states: Maine, Massachusetts, New Jersey, Ohio, Oklahoma, Pennsylvania and South Dakota. Please consider this as you review a vehicle's estimated ownership history.

Title Issued

A state issues a title to provide a vehicle owner with proof of ownership. Each title has a unique number. Each title or registration record on a CARFAX report does not necessarily indicate a change in ownership. In Canada, a registration and bill of sale are used as proof of ownership.

Follow Us:

-  facebook.com/CARFAX
-  [@CARFAXinc](https://twitter.com/CARFAXinc)
-  [About CARFAX](#)

CARFAX DEPENDS ON ITS SOURCES FOR THE ACCURACY AND RELIABILITY OF ITS INFORMATION. THEREFORE, NO RESPONSIBILITY IS ASSUMED BY CARFAX OR ITS AGENTS FOR ERRORS OR OMISSIONS IN THIS REPORT. CARFAX FURTHER EXPRESSLY DISCLAIMS ALL WARRANTIES, EXPRESS OR IMPLIED, INCLUDING ANY IMPLIED WARRANTIES OF MERCHANTABILITY OR FITNESS FOR A PARTICULAR PURPOSE.

© 2026 CARFAX, Inc., part of S&P Global. All rights reserved.
2/11/26 8:17:01 AM (CST)

I have reviewed and received a copy of the CARFAX Vehicle History Report for this 2018 AUDI A5 SPORTBACK vehicle (VIN: WAUENCF58JA088851), which is based on information supplied to CARFAX and available as of 2/11/26 at 9:17 AM (EST).

Customer Signature	Date	Dealer Signature	Date
---------------------------	-------------	-------------------------	-------------