

CARFAX History-Based Value Report

\$13,590

CARFAX Retail Value

History events affecting this vehicle's value

- Service History
- Airbag Deployed
- Accident Reported

CARFAX Vehicle History Report™

US \$44.99

2018 AUDI A3 SPORTBACK E-TRON 1.4T PREMIUM PLUS

VIN: WAUTPBFF3JA070228
HATCHBACK 4 DR
1.4L I4 F DOHC 16V
HYBRID
FRONT WHEEL DRIVE

- Accident reported: airbag deployed >
- 17 Service history records >
- 2 Previous owners >
- Types of owners: Corporate, Personal >
- Last owned in Texas >
- 91,528 Last reported odometer reading >

This CARFAX Vehicle History Report is based only on [information](#) supplied to CARFAX and available as of 2/14/26 at 3:51:46 AM (CST). Other information about this vehicle, including problems, may not have been reported to CARFAX. Use this report as one important tool, along with a vehicle inspection and test drive, to make a better decision about your next used car.

CARFAX Accident / Damage History

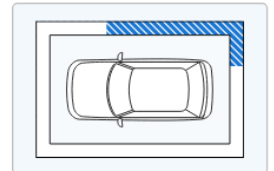
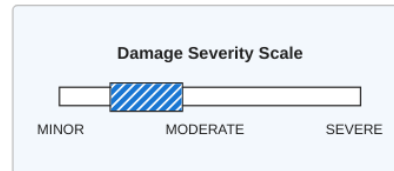
Not all accidents / issues are reported to CARFAX

Event 1

09/25/2019

Damage reported: minor to moderate damage ⓘ

[View More Details >](#)



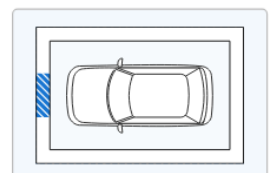
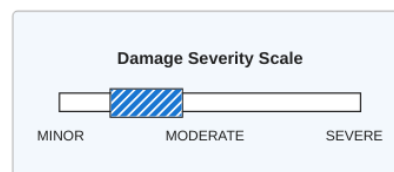
Event 2

12/17/2025

Accident reported: minor to moderate damage ⓘ



- Involving front or side impact
- Vehicle towed
- Multiple airbags deployed

[View More Details >](#)



CARFAX Recent Service Highlights

Key services performed in the last 12 months

Service	Comments	Date	
 Oil	✓ Oil and filter changed	06/25/2025	View Details >
 <div style="border: 1px solid #ccc; padding: 5px; display: inline-block;"> This car has been recently serviced. That's a good thing! </div>			

CARFAX Additional History

Not all accidents / issues are reported to CARFAX

	Owner 1	Owner 2
Total Loss ⓘ No total loss reported to CARFAX.	✓ No Issues Reported	✓ No Issues Reported
Structural Damage ⓘ CARFAX recommends that you have this vehicle inspected by a collision repair specialist.	✓ No Issues Reported	✓ No Issues Reported
Airbag Deployment ⓘ Airbag deployment reported: 12/17/2025.	✓ No Issues Reported	Airbag Deployment
Odometer Check ⓘ No indication of an odometer rollback.	✓ No Issues Indicated	✓ No Issues Indicated
Accident / Damage ⓘ Damage reported: 09/25/2019. Accident reported: 12/17/2025.	Damage Reported	Accident Reported
Manufacturer Recall ⓘ No open recalls reported to CARFAX.	✓ No Recalls Reported	✓ No Recalls Reported
Basic Warranty ⓘ Original warranty estimated to have expired.	Warranty Expired	Warranty Expired

CARFAX Title History

CARFAX guarantees the information in this section

	Owner 1	Owner 2
Damage Brands ⓘ Salvage Junk Rebuilt Fire Flood Hail Lemon	✓ Guaranteed No Problem	✓ Guaranteed No Problem
Odometer Brands ⓘ Not Actual Mileage Exceeds Mechanical Limits	✓ Guaranteed No Problem	✓ Guaranteed No Problem



GUARANTEED - None of these title problems were reported by a U.S. state Department of Motor Vehicles (DMV). If you find that any of these title problems were reported by a DMV and not included in this report, you may qualify.

[View Terms](#) | [View Certificate](#)

CARFAX Ownership History

The number of owners is estimated

	Owner 1	Owner 2
Year purchased	2018	2021
Type of owner	Corporate	Personal
Estimated length of ownership	3 years	4 yrs. 4 mo.
Owned in the following states/provinces	California	Texas
Estimated miles driven per year	13,606/yr	13,739/yr

Estimated miles driven per year	13,606/yr	13,739/yr
Last reported odometer reading	41,461	91,528

CARFAX Detailed History

[Glossary](#)

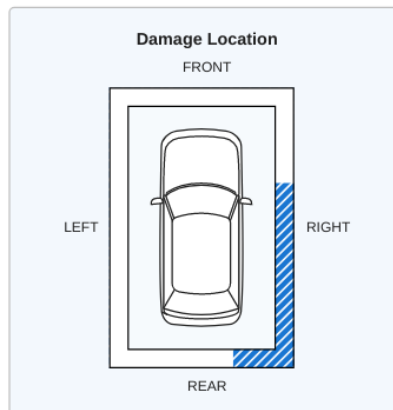
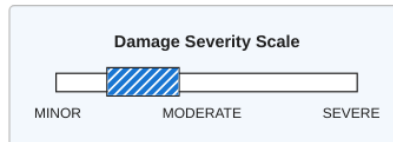
Owner 1
Purchased: 2018

Corporate Vehicle
13,606 mi/yr

Date	Mileage	Source	Comments
Not Reported		NICB	Vehicle manufactured and shipped to California
02/14/2018	15	Santa Monica Audi Santa Monica, CA 310-393-9922 santamonicaaudi.com	Vehicle serviced -Pre-delivery inspection completed
06/20/2018		California Motor Vehicle Dept. Santa Monica, CA	Title issued or updated -First owner reported -Titled or registered as corporate vehicle -Loan or lien reported
06/28/2018	136	Santa Monica Audi Santa Monica, CA 310-393-9922 santamonicaaudi.com	Vehicle serviced
01/29/2019	10,305	Santa Monica Audi Santa Monica, CA 310-393-9922 santamonicaaudi.com	Vehicle serviced -10,000 mile service performed -High voltage battery charged -Tire condition and pressure checked -Tires rotated
06/28/2019	17,194	Santa Monica Audi Santa Monica, CA 310-393-9922 santamonicaaudi.com	Vehicle serviced -Maintenance inspection completed -Tire condition and pressure checked
08/08/2019	19,390	Santa Monica Audi Santa Monica, CA 310-393-9922 santamonicaaudi.com	Vehicle serviced -Maintenance inspection completed -20,000 mile service performed -Tire condition and pressure checked

09/25/2019 Damage Report **Damage reported: minor to moderate damage**

- Damage to right side
- Damage to right rear



CARFAX HAS THE MOST ACCIDENT & DAMAGE INFORMATION

05/29/2020 29,877 Audi Fletcher Jones **Vehicle serviced**

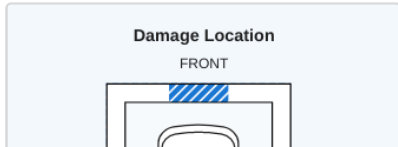
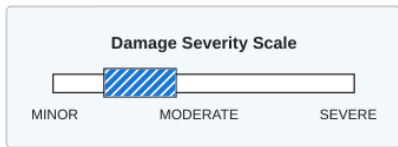
05/29/2020	29,877	Audi Fletcher Jones Costa Mesa, CA 949-791-1500 audifletcherjones.com 35 Customer Favorites		Vehicle serviced -Maintenance inspection completed -30,000 mile service performed -Brake fluid flushed/changed -Cabin air filter replaced/cleaned -Charcoal/vapor canister replaced -Drivability/performance checked -Fender liner adjusted/secured -Front seat cover replaced -Front seat replaced -Occupant sensor replaced -Seat(s) checked
11/10/2020	34,676	Audi Fletcher Jones Costa Mesa, CA 949-791-1500 audifletcherjones.com 35 Customer Favorites		Vehicle serviced -Maintenance inspection completed -Computer reprogrammed -Front seat cover replaced -Front seat replaced -Occupant sensor replaced -Seat(s) checked -Tire condition and pressure checked -Tire(s) balanced -Tires rotated
03/10/2021	38,770	Audi Fletcher Jones Costa Mesa, CA 949-791-1500 audifletcherjones.com 35 Customer Favorites		Vehicle serviced -Maintenance inspection completed -40,000 mile service performed -Brakes checked -Oil and filter changed -One tire balanced -One tire mounted -Spark plug(s) replaced -Tire condition and pressure checked -Transmission fluid changed
07/05/2021	41,415	Auto Auction		Listed as a dealer vehicle -Vehicle sold
07/10/2021		Ottosource Dallas, TX		Vehicle offered for sale
07/19/2021	41,421	Eurrotech Dallas, TX 469-248-0378 eurrotech.com/		Vehicle serviced -Pre-delivery inspection completed -Air filter replaced -Brakes checked -Fluids checked -Oil and filter changed
08/18/2021	41,461	Audi Plano Plano, TX 972-249-0905 audiplano.com 302 Customer Favorites		Vehicle serviced -Maintenance inspection completed -50,000 mile service performed -Battery/charging system checked -Brakes checked -Drivability/performance checked -Emission system checked -Intake manifold gasket(s) replaced -Oil and filter changed -Tire condition and pressure checked

Owner 2 Purchased: 2021	Personal Vehicle 13,739 mi/yr
-----------------------------------	----------------------------------

Date	Mileage	Source	Comments
09/16/2021		Texas Motor Vehicle Dept. Dallas, TX Title #05752244445081818	Title issued or updated -New owner reported -Vehicle color noted as Gray
10/22/2022	54,750	Take 5 Oil Change Dallas, TX 469-250-1046 take5oilchangebeltliner.com 145 Customer Favorites	Vehicle serviced -Emission system checked -Emissions inspection performed -Oil and filter changed -Safety inspection performed
10/22/2022		Texas	Passed emissions inspection

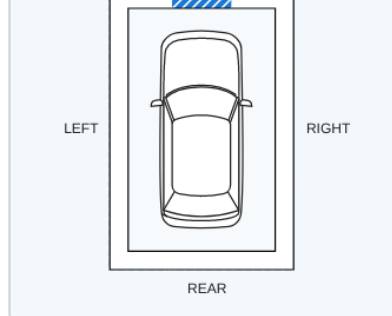
10/22/2022		Texas Inspection Station Dallas, TX		Passed emissions inspection
01/18/2023	57,623	Spring Valley Discount Muffler & Auto Care Richardson, TX 972-234-4944 ♥ 2 Customer Favorites		Vehicle serviced
12/09/2023	70,522	Take 5 Oil Change Plano, TX 469-331-0711 take5oilchange14thst.com ♥ 97 Customer Favorites		Vehicle serviced - Emission system checked - Emissions inspection performed - Oil and filter changed - Safety inspection performed
07/03/2024	78,452	Kwik Kar Lube & Tune Dallas, TX 214-219-7100 kwikkartx.com/locations/#address1 ♥ 86 Customer Favorites		Vehicle serviced - Brake fluid flushed/changed - Emissions inspection performed - Oil and filter changed
07/03/2024		Texas Inspection Station Dallas, TX		Passed emissions inspection
07/03/2024		Texas Motor Vehicle Dept. Dallas, TX Title #05752244445081818		Registration issued or renewed - Passed safety inspection - Vehicle color noted as Gray
12/11/2024	84,505	Take 5 Oil Change Dallas, TX 214-717-6194 take5oilchangelemmonave.com ♥ 250 Customer Favorites		Vehicle serviced - Cabin air filter replaced/cleaned - Oil and filter changed
06/25/2025	91,528	Baker's Spring Valley Automotive Dallas, TX 972-239-3775 ♥ 14 Customer Favorites		Vehicle serviced - Fluids checked - Oil and filter changed - Tire condition and pressure checked
06/25/2025		Texas Inspection Station Dallas, TX		Passed emissions inspection
07/01/2025		Texas Motor Vehicle Dept. Dallas, TX Title #05752244445081818		Registration issued or renewed - Passed safety inspection - Vehicle color noted as Gray
08/21/2025		Caliber Auto Glass Lewisville, TX 888-461-0010 caliber.com/services/auto-glass		Vehicle serviced - Glass repaired

12/17/2025		Damage Report		Accident reported: minor to moderate damage ⓘ - Involving front or side impact - Damage to front - Vehicle towed - Multiple airbags deployed CARFAX Airbag Tips
------------	--	---------------	--	---



CARFAX HAS THE MOST ACCIDENT & DAMAGE





02/14/2026

Audi

Connect Service available with subscription

Connect offers services to enhance navigation, infotainment, and peace of mind

[Learn more](#)

Have Questions? Consumers, please visit our Help Center at www.carfax.com. Dealers or Subscribers, please visit our Help Center at www.carfaxonline.com.

Accident Indicator

CARFAX receives information about accidents in all 50 states, the District of Columbia and Canada.

Not every accident is reported to CARFAX. As details about the accident become available, those additional details are added to the CARFAX Vehicle History Report. CARFAX recommends that you have this vehicle inspected by a qualified mechanic.

- According to the National Safety Council, Injury Facts, 2021 edition, 5% of the 276 million registered vehicles in the U.S. were involved in an accident in 2019. Over 77% of these were considered minor or moderate.
- This CARFAX Vehicle History Report is based only on information supplied to CARFAX and available as of 2/14/26 at 3:51:46 AM (CST). Other information about this vehicle, including problems, may not have been reported to CARFAX. Use this report as one important tool, along with a vehicle inspection and test drive, to make a better decision about your next used car.

Airbag Deployment

Occurs when the driver, passenger or side airbag has been used or deployed during a crash or other incident. If an airbag has been deployed, it must be replaced by a qualified technician. Have this car inspected by a mechanic prior to purchase.

Damage Indicator

Damage can be a result of many different types of events. Examples include contact with objects (other cars, trees, traffic signs, road debris, etc), vandalism, or weather-related events. Not every damage event is reported to CARFAX. As details about the damage event become available, those additional details are added to the CARFAX Vehicle History Report. CARFAX recommends that you have this vehicle inspected by a qualified mechanic.

- This CARFAX Vehicle History Report is based only on information supplied to CARFAX and available as of 2/14/26 at 3:51:46 AM (CST). Other information about this vehicle, including problems, may not have been reported to CARFAX. Use this report as one important tool, along with a vehicle inspection and test drive, to make a better decision about your next used car.

Damage Severity

Damage events result in one of the following severity levels:

- Minor: Generally, minor damage is cosmetic (including dents or scratches), may only require reconditioning, and typically does not compromise a vehicle's operation and/or safety.
- Moderate: Moderate damage may affect multiple components of the vehicle and may impair the vehicle's operation and/or safety.
- Severe: Severe damage usually affects multiple components of the vehicle and is likely to compromise the vehicle's operation and/or safety.

CARFAX recommends getting a pre-purchase inspection at a certified collision repair facility.

First Owner

When the first owner(s) obtains a title from a Department of Motor Vehicles as proof of ownership.

New Owner Reported

When a vehicle is sold to a new owner, the Title must be transferred to the new owner(s) at a Department of Motor Vehicles.

Ownership History

CARFAX defines an owner as an individual or business that possesses and uses a vehicle. Not all title transactions represent changes in ownership. To provide estimated number of owners, CARFAX proprietary technology analyzes all the events in a vehicle history. Estimated ownership is available for vehicles manufactured after 1991 and titled solely in the US including Puerto Rico. Dealers sometimes opt to take ownership of a vehicle and are required to in the following states: Maine, Massachusetts, New Jersey, Ohio, Oklahoma, Pennsylvania and South Dakota. Please consider this as you review a vehicle's estimated ownership history.

Title Issued

A state issues a title to provide a vehicle owner with proof of ownership. Each title has a unique number. Each title or registration record on a CARFAX report does not necessarily indicate a change in ownership. In Canada, a registration and bill of sale are used as proof of ownership.

necessarily indicate a change in ownership. In Canada, a registration and bill of sale are used as proof of ownership.

Follow
Us:



facebook.com/CARFAX



[@CARFAXinc](https://twitter.com/CARFAXinc)



[About CARFAX](#)

CARFAX DEPENDS ON ITS SOURCES FOR THE ACCURACY AND RELIABILITY OF ITS INFORMATION. THEREFORE, NO RESPONSIBILITY IS ASSUMED BY CARFAX OR ITS AGENTS FOR ERRORS OR OMISSIONS IN THIS REPORT. CARFAX FURTHER EXPRESSLY DISCLAIMS ALL WARRANTIES, EXPRESS OR IMPLIED, INCLUDING ANY IMPLIED WARRANTIES OF MERCHANTABILITY OR FITNESS FOR A PARTICULAR PURPOSE.

© 2026 CARFAX, Inc., part of S&P Global. All rights reserved.
2/14/26 3:51:46 AM (CST)

I have reviewed and received a copy of the CARFAX Vehicle History Report for this 2018 AUDI A3 SPORTBACK E-TRON vehicle (VIN: WAUTPBFF3JA070228), which is based on information supplied to CARFAX and available as of 2/14/26 at 4:51 AM (EST).

Customer Signature

Date

Dealer Signature

Date