

History-Based Value Report

\$33,000

CARFAX Retail Value

History events affecting this vehicle's value

- Service History
- Salvage Brand

Vehicle History Report™

US \$44.99

2022 BMW IX XDRIVE50

VIN: WB523CF03NCJ58228
4 DOOR WAGON/SPORT UTILITY
ELECTRIC
ALL WHEEL DRIVE

Branded Title: Salvage >

9 Service history records >

3 Previous owners >

Types of owners: Personal, Lease >

Last owned in New Jersey >

23,465 Last reported odometer reading >

This CARFAX Vehicle History Report is based only on [information](#) supplied to CARFAX and available as of 2/5/26 at 10:46:05 AM (CST). Other information about this vehicle, including problems, may not have been reported to CARFAX. Use this report as one important tool, along with a vehicle inspection and test drive, to make a better decision about your next used car.

Accident / Damage History

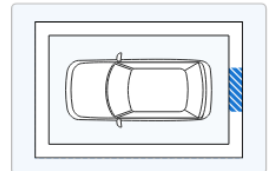
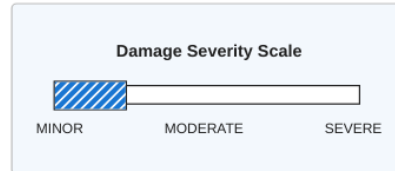
Not all accidents / issues are reported to CARFAX

Event 1

05/23/2022

Accident reported: minor damage

[View More Details >](#)

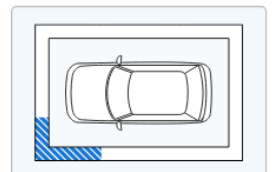
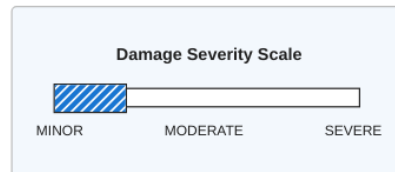


Event 2

10/06/2022

Accident reported: minor damage

[View More Details >](#)

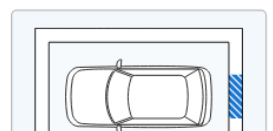
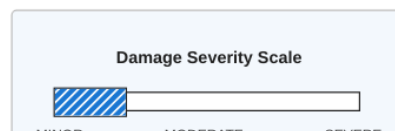


Event 3

09/18/2023

Accident reported: minor damage

[View More Details >](#)




[View More Details >](#)



[Show More >](#)

CARFAX Recent Service Highlights

Key services performed in the last 12 months

| Service | Comments | Date | |
|---|---------------|------------|-----------------------------------|
| Tires | Tires rotated | 10/09/2025 | View Details > |
|  <div style="border: 1px solid #ccc; padding: 5px; display: inline-block;">This car has been recently serviced. That's a good thing!</div> | | | |

CARFAX Additional History

Not all accidents / issues are reported to CARFAX

| | Owner 1 | Owner 2 | Owner 3 |
|--|-----------------------------------|------------------------|-------------------------------------|
| Total Loss Total Loss Reported: 01/14/2026. | No Issues Reported | No Issues Reported | Total Loss Reported |
| Structural Damage CARFAX recommends that you have this vehicle inspected by a collision repair specialist. | No Issues Reported | No Issues Reported | No Issues Reported |
| Airbag Deployment No airbag deployment reported to CARFAX. | No Issues Reported | No Issues Reported | No Issues Reported |
| Odometer Check No indication of an odometer rollback. | No Issues Indicated | No Issues Indicated | No Issues Indicated |
| Accident / Damage Accidents reported: 05/23/2022, 10/06/2022, 09/18/2023, and 01/14/2026. Damage reported: 06/11/2024. | Accident Reported | No New Issues Reported | Severe Damage |
| Manufacturer Recall No open recalls reported to CARFAX. | No Recalls Reported | No Recalls Reported | No Recalls Reported |
| Basic Warranty Original manufacturer warranty likely voided by manufacturer. | Warranty Active | Warranty Active | Warranty Voided |

CARFAX Title History

| | Owner 1 | Owner 2 | Owner 3 |
|--|------------|------------|--------------------------------|
| Damage Brands Salvage Junk Rebuilt Fire Flood Hail Lemon | No Problem | No Problem | Alert! Problem Found |
| Odometer Brands Not Actual Mileage Exceeds Mechanical Limits | No Problem | No Problem | No Problem |



ALERT! - Severe problems were reported by a state Department of Motor Vehicles (DMV). This vehicle does not qualify for the CARFAX Buyback Guarantee.

CARFAX Ownership History

The number of owners is estimated


| | Owner 1 | Owner 2 | Owner 3 |
|----------------|---------|---------|---------|
| Year purchased | 2022 | 2024 | 2025 |

| | | | |
|---|--------------|----------------------|------------|
| Type of owner | Personal | Lease | Personal |
| Estimated length of ownership | 2 yrs. 5 mo. | 21 days | 8 months |
| Owned in the following states/provinces | New Jersey | Arkansas, New Jersey | New Jersey |
| Estimated miles driven per year | 5,985/yr | --- | --- |
| Last reported odometer reading | 12,955 | 15,459 | 23,465 |

CARFAX Detailed History

[Glossary](#)

Owner 1 Personal Vehicle
Purchased: 2022 5,985 mi/yr

| Date | Mileage | Source | Comments |
|------------|---------|--|---|
| 03/11/2022 | 25 | BMW of Ramsey Ramsey, NJ 201-327-2525 bmwramsey.com/ 14,957 Customer Favorites | Vehicle serviced -Pre-delivery inspection completed -Nitrogen fill tires -Vehicle washed/detailed |
| 04/27/2022 | 214 | BMW of Ramsey Ramsey, NJ 201-327-2525 bmwramsey.com/ 14,957 Customer Favorites | Vehicle serviced |
| 05/11/2022 | | New Jersey Motor Vehicle Dept. Elmwood Park, NJ Title #GD20221310799 | Title issued or updated -Registration issued or renewed -First owner reported -Titled or registered as personal vehicle -Loan or lien reported -Vehicle color noted as Blue |
| 05/23/2022 | | Damage Report | Accident reported: minor damage -Damage to rear |
| | |  | <div data-bbox="847 1420 1246 1563"> <p>Damage Severity Scale</p> </div> <div data-bbox="847 1574 1246 1984"> <p>Damage Location</p> </div> |
| 08/10/2022 | 970 | BMW of Ramsey Ramsey, NJ 201-327-2525 bmwramsey.com/ 14,957 Customer Favorites | Vehicle serviced -Maintenance inspection completed |
| 10/06/2022 | | Damage Report | Accident reported: minor damage |

CARFAX HAS THE MOST ACCIDENT & DAMAGE INFORMATION

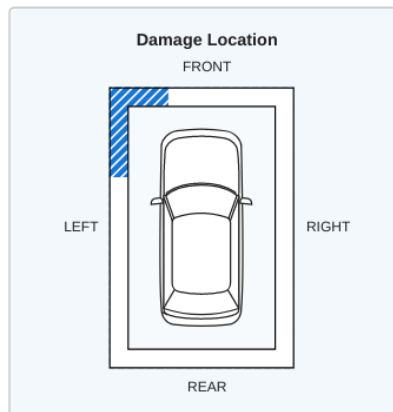
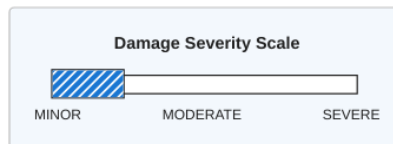
10/06/2022

Damage Report



Accident reported: minor damage ⓘ
-Damage to left front

CARFAX HAS THE MOST ACCIDENT & DAMAGE INFORMATION



01/28/2023

3,025

BMW of Ramsey
Ramsey, NJ
201-327-2525
bmwramsey.com/

♥ 14,957 Customer Favorites



Vehicle serviced
-Maintenance inspection completed

02/23/2023

3,258

BMW of Ramsey
Ramsey, NJ
201-327-2525
bmwramsey.com/

♥ 14,957 Customer Favorites



Vehicle serviced
-Maintenance inspection completed

04/11/2023

3,556

BMW of Ramsey
Ramsey, NJ
201-327-2525
bmwramsey.com/

♥ 14,957 Customer Favorites



Vehicle serviced
-Maintenance inspection completed

07/07/2023

4,866

BMW of Ramsey
Ramsey, NJ
201-327-2525
bmwramsey.com/

♥ 14,957 Customer Favorites



Vehicle serviced
-Maintenance inspection completed
-Battery/charging system checked

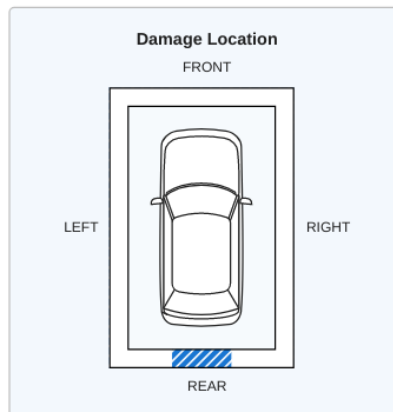
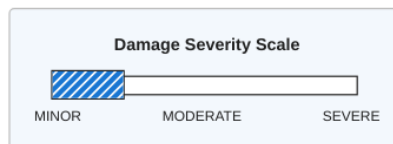
09/18/2023

Damage Report



Accident reported: minor damage ⓘ
-Damage to rear

CARFAX HAS THE MOST ACCIDENT & DAMAGE INFORMATION



06/11/2024

Damage Report



Damage reported

07/09/2024 12,955 BMW of Ramsey
 Ramsey, NJ
 201-327-2525
 bmwramsey.com/
 ❤️ 14,957 Customer Favorites



Vehicle serviced
 -Maintenance inspection completed
 -Brake fluid flushed/changed
 -Cabin air filter replaced/cleaned

Owner 2
 Purchased: 2024

Lease Vehicle

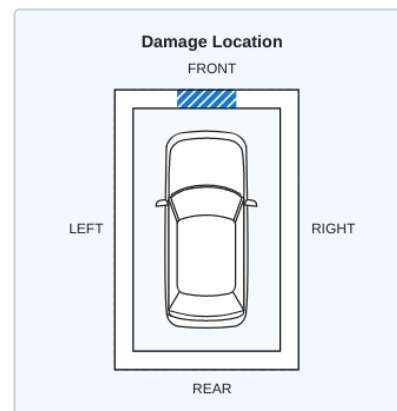
| Date | Mileage | Source | Comments |
|------------|---------|---|---|
| 10/24/2024 | 15,459 | Arkansas Motor Vehicle Dept. Beebe, AR Title #761015774114 | Vehicle purchase reported - Title issued or updated - New owner reported - Titled or registered as lease vehicle - Vehicle color noted as Blue |
| 11/14/2024 | | Online Listing | Vehicle offered for sale |
| 12/03/2024 | | Vehicle Manufacturer | Vehicle sold |
| 02/18/2025 | | United Auto Motors Newark, NJ 201-257-8307 nationalautomotors.com/ | Vehicle offered for sale |
| 05/09/2025 | | New Jersey Motor Vehicle Dept. Livingston, NJ | Registration issued or renewed - Vehicle color noted as Blue |

Owner 3
 Purchased: 2025

Personal Vehicle

| Date | Mileage | Source | Comments |
|------------|---------|---|---|
| 05/09/2025 | | New Jersey Motor Vehicle Dept. Livingston, NJ Title #EB20251290425 | Title issued or updated - New owner reported - Vehicle color noted as Blue |
| 10/09/2025 | 22,031 | Prospect Auto West Orange, NJ 973-731-7400 ❤️ 523 Customer Favorites | Vehicle serviced - Tires rotated |
| 01/14/2026 | | Damage Report | TOTAL LOSS VEHICLE - Accident reported - Damage to front |

CARFAX HAS THE MOST ACCIDENT & DAMAGE INFORMATION



There are many reasons an insurance company will declare a vehicle a total loss. Have this vehicle inspected by a qualified technician for more information.



There are many reasons an insurance company will declare a vehicle a total loss. Have this vehicle inspected by a qualified technician before you buy. [Learn More](#)

| | | | | |
|------------|--------|---|--|---|
| 01/14/2026 | | New Jersey Motor Vehicle Dept. | | Title or registration issued to insurance company |
| 01/14/2026 | 23,465 | New Jersey Motor Vehicle Dept. Iselin, NJ Title #LK20260140052 | | SALVAGE TITLE/CERTIFICATE ISSUED -Vehicle color noted as Blue |

Have Questions? Consumers, please visit our Help Center at www.carfax.com. Dealers or Subscribers, please visit our Help Center at www.carfaxonline.com.

CARFAX Glossary

[Full Glossary](#)

Accident Indicator

CARFAX receives information about accidents in all 50 states, the District of Columbia and Canada.

Not every accident is reported to CARFAX. As details about the accident become available, those additional details are added to the CARFAX Vehicle History Report. CARFAX recommends that you have this vehicle inspected by a qualified mechanic.

- According to the National Safety Council, Injury Facts, 2021 edition, 5% of the 276 million registered vehicles in the U.S. were involved in an accident in 2019. Over 77% of these were considered minor or moderate.
- This CARFAX Vehicle History Report is based only on information supplied to CARFAX and available as of 2/5/26 at 10:46:05 AM (CST). Other information about this vehicle, including problems, may not have been reported to CARFAX. Use this report as one important tool, along with a vehicle inspection and test drive, to make a better decision about your next used car.

Damage Indicator

Damage can be a result of many different types of events. Examples include contact with objects (other cars, trees, traffic signs, road debris, etc), vandalism, or weather-related events. Not every damage event is reported to CARFAX. As details about the damage event become available, those additional details are added to the CARFAX Vehicle History Report. CARFAX recommends that you have this vehicle inspected by a qualified mechanic.

- This CARFAX Vehicle History Report is based only on information supplied to CARFAX and available as of 2/5/26 at 10:46:05 AM (CST). Other information about this vehicle, including problems, may not have been reported to CARFAX. Use this report as one important tool, along with a vehicle inspection and test drive, to make a better decision about your next used car.

Damage Severity

Damage events result in one of the following severity levels:

- Minor: Generally, minor damage is cosmetic (including dents or scratches), may only require reconditioning, and typically does not compromise a vehicle's operation and/or safety.
- Moderate: Moderate damage may affect multiple components of the vehicle and may impair the vehicle's operation and/or safety.
- Severe: Severe damage usually affects multiple components of the vehicle and is likely to compromise the vehicle's operation and/or safety.

CARFAX recommends getting a pre-purchase inspection at a certified collision repair facility.

First Owner

When the first owner(s) obtains a title from a Department of Motor Vehicles as proof of ownership.

Lease

When someone leases a car from a dealer, the dealer actually sells the vehicle to a leasing company. The leasing company then collects payments for the vehicle from the new owner for 24, 36, 48 or more months. A leasing company can be an independent car dealer or a car manufacturer.

New Owner Reported

When a vehicle is sold to a new owner, the Title must be transferred to the new owner(s) at a Department of Motor Vehicles.

Ownership History

CARFAX defines an owner as an individual or business that possesses and uses a vehicle. Not all title transactions represent changes in ownership. To provide estimated number of owners, CARFAX proprietary technology analyzes all the events in a vehicle history. Estimated ownership is available for vehicles manufactured after 1991 and titled solely in the US including Puerto Rico. Dealers sometimes opt to take ownership of a vehicle and are required to in the following states: Maine, Massachusetts, New Jersey, Ohio, Oklahoma, Pennsylvania and South Dakota. Please consider this as you review a vehicle's estimated ownership history.

Salvage Title

A Salvage Title is issued on a vehicle damaged to the extent that the cost of repairing the vehicle exceeds approximately 75% of its pre-damage value. This damage threshold may vary by state. Some states treat Junk titles the same as Salvage but the majority use this title to indicate that a vehicle is not road worthy and cannot be titled again in that state. The following eleven states also use Salvage titles to identify stolen vehicles - AZ, FL, GA, IL, MD, MN, NJ, NM, NY, OK and OR.

Title Issued

A state issues a title to provide a vehicle owner with proof of ownership. Each title has a unique number. Each title or registration record on a CARFAX report does not necessarily indicate a change in ownership. In Canada, a registration and bill of sale are used as proof of ownership.

Total Loss Vehicle

Total Loss Vehicle

An insurance or fleet company declares a vehicle a total loss when a claim exceeds approximately 75% of its pre-damage value or if the vehicle is stolen and not recovered. This damage threshold varies by company. These companies typically take possession and obtain the title. Not all total loss vehicles result in a DMV-reported branded title. This may occur when an insurance company's definition of a total loss is different than the state DMV's definition for a branded title or when the owner of the vehicle is a self-insured company, like a fleet or rental company.

Follow
Us:



CARFAX DEPENDS ON ITS SOURCES FOR THE ACCURACY AND RELIABILITY OF ITS INFORMATION. THEREFORE, NO RESPONSIBILITY IS ASSUMED BY CARFAX OR ITS AGENTS FOR ERRORS OR OMISSIONS IN THIS REPORT. CARFAX FURTHER EXPRESSLY DISCLAIMS ALL WARRANTIES, EXPRESS OR IMPLIED, INCLUDING ANY IMPLIED WARRANTIES OF MERCHANTABILITY OR FITNESS FOR A PARTICULAR PURPOSE.

© 2026 CARFAX, Inc., part of S&P Global. All rights reserved.
2/5/26 10:46:05 AM (CST)

I have reviewed and received a copy of the CARFAX Vehicle History Report for this 2022 BMW IX vehicle (VIN: WB523CF03NCJ58228), which is based on information supplied to CARFAX and available as of 2/5/26 at 11:46 AM (EST).

Customer Signature

Date

Dealer Signature

Date