

CARFAX Report

US \$44.99

2021 BMW 7 Series 740I Xdrive

57,026 mi | VIN: WBA7T4C01MCE47451

Vehicle Details

CARFAX HAS THE MOST ACCIDENT & DAMAGE INFORMATION



BRANDED TITLE

Junk

CARFAX VALUE \$22,560

Update Trim & Options

1 Service History Record

At Least 1 Open Recall

CARFAX 1-Owner Vehicle

Personal Lease Vehicle

Last Owned in Illinois

This CARFAX Vehicle History Report is based only on information supplied to CARFAX and available as of 6/5/26 at 3:03:45 AM (CDT). Other information about this vehicle, including problems, may not have been reported to CARFAX. Use this report as one important tool, along with a vehicle inspection and test drive, to make a better decision about your next used car.

CARFAX Accident / Damage History

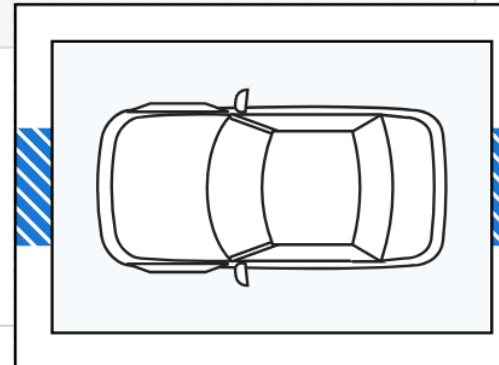
Not all accidents / issues are reported to CARFAX

Event 1

10/30/2025

Damage reported

View More Details



CARFAX History-Based Value

\$22,560

CARFAX Retail Value

History events affecting this vehicle's value

- 1-Owner Vehicle
- Personal Vehicle
- Junk Brand
- Open Recall

Additional History <small>Not all accidents / issues are reported to CARFAX</small>	Owner 1
Total Loss ⓘ No total loss reported to CARFAX.	
Structural Damage ⓘ CARFAX recommends that you have this vehicle inspected by a collision repair specialist.	
Airbag Deployment ⓘ No airbag deployment reported to CARFAX.	
Odometer Check ⓘ No indication of an odometer rollback.	
Accident / Damage ⓘ DMV title problems reported. Damage reported: 10/30/2025.	Severe Damage
Manufacturer Recall ⓘ At least 1 manufacturer recall requires service. Locate an authorized BMW dealer near you to schedule an appointment.	Recall Reported
Basic Warranty ⓘ Original manufacturer warranty likely voided by manufacturer.	Warranty Voided

Title History	Owner 1
Damage Brands ⓘ Salvage Junk Rebuilt Fire Flood Hail Lemon	Alert! Problem Found
Odometer Brands ⓘ Not Actual Mileage Exceeds Mechanical Limits	No Problem

ALERT! - Severe problems were reported by a state Department of Motor Vehicles (DMV). This vehicle does not qualify for the CARFAX Buyback Guarantee.

Ownership History <small>The number of owners is estimated</small>	Owner 1
Year purchased	2020
Type of owner	Personal Lease
Estimated length of ownership	5 yrs. 2 mo.
Owned in the following states/provinces	New York, Illinois

Owned in the following states/provinces

New York, Illinois

Estimated miles driven per year

23,787/yr

Last reported odometer reading

57,026

 Detailed History


[Glossary](#)


Owner 1

Purchased: 2020

Personal Lease Vehicle

23,787 mi/yr

Date	Mileage	Source	Comments
07/13/2020	2	New York Inspection Station	Dealer had vehicle inspected to prepare it for sale -Passed safety inspection -Emissions inspection performed
08/21/2020		New York Inspection Station	Dealer had vehicle inspected to prepare it for sale -Passed safety inspection -Emissions inspection performed
08/21/2020		New York Motor Vehicle Dept. Elmsford, NY	Registration issued or renewed -Titled or registered as personal lease vehicle -Passed safety inspection
09/01/2020		New York Motor Vehicle Dept. Hilliard, OH	Title issued or updated -First owner reported
10/08/2021	28,449	New York Inspection Station	Passed safety inspection -Emissions inspection performed
07/29/2022		New York Motor Vehicle Dept. Elmsford, NY	Registration issued or renewed -Passed safety inspection
11/01/2022	52,683	New York Inspection Station	Passed safety inspection -Emissions inspection performed
01/13/2023	57,026	Valvoline Instant Oil Change Yonkers, NY 914-776-0639 vioc.com  296 Customer Favorites	Vehicle serviced -Oil and filter changed
02/08/2023		New York Motor Vehicle Dept. Hilliard, OH	Title issued or updated
02/08/2023		Stolen Report New York	Vehicle reported stolen
02/08/2023		Stolen Report New York	Insurance claim paid due to theft
02/09/2023		Stolen Report New York	Vehicle reported stolen
04/15/2024		New York Motor Vehicle Dept. Hilliard, OH	Title issued or updated -Vehicle recovered after theft
08/01/2024		BMW of North America, LLC	Manufacturer Safety recall issued -NHTSA #24V-576 -Recall #24V-576:472 ENGINE STARTER -Status: Remedy Available

-Recall #24V-576:472 ENGINE STARTER

-Status: Remedy Available

Need more information about this recall? Find an authorized [BMW dealer](#), email CustomerRelations@bmwusa.com, or call 1-800-525-7417

[+ Learn more about this recall](#)

09/25/2025

BMW of North America, LLC

Manufacturer Safety recall issued

-NHTSA #25V-644
-Recall #25V-644:526 ENGINE STARTER
-Status: Remedy Available

Need more information about this recall? Find an authorized [BMW dealer](#), email CustomerRelations@bmwusa.com, or call 1-800-525-7417

[+ Learn more about this recall](#)

10/30/2025



Damage Report

Damage reported

-Damage to front
-Damage to rear

CARFAX HAS THE MOST ACCIDENT & DAMAGE INFORMATION



Damage Location

FRONT

LEFT RIGHT

REAR

Not all damage is caused by an accident. Get the car inspected before you buy. [Learn More](#)

11/13/2025

Illinois Motor Vehicle Dept.

Vehicle purchase reported

11/17/2025



Illinois Motor Vehicle Dept.
Bridgeview, IL
Title #253187008460

Dealer took title of this vehicle while it was in inventory
-JUNK TITLE/CERTIFICATE ISSUED

Have Questions? Consumers, please visit our Help Center at www.carfax.com. Dealers or Subscribers, please visit our Help Center at www.carfaxonline.com.

Damage Indicator

Damage can be a result of many different types of events. Examples include contact with objects (other cars, trees, traffic signs, road debris, etc), vandalism, or weather-related events. Not every damage event is reported to CARFAX. As details about the damage event become available, those additional details are added to the CARFAX Vehicle History Report. CARFAX recommends that you have this vehicle inspected by a qualified mechanic.

- This CARFAX Vehicle History Report is based only on information supplied to CARFAX and available as of 6/5/26 at 3:03:45 AM (CDT). Other information about this vehicle, including problems, may not have been reported to CARFAX. Use this report as one important tool, along with a vehicle inspection and test drive, to make a better decision about your next used car.

First Owner

When the first owner(s) obtains a title from a Department of Motor Vehicles as proof of ownership.

Junk Title

A Junk Title is issued on a vehicle damaged to the extent that the cost of repairing the vehicle exceeds approximately 75% of its pre-damage value. This damage threshold may vary by state. The majority of states use this title to indicate that a vehicle is not road worthy and cannot be titled again. Some states treat Junk titles the same as Salvage.

Manufacturer Recall

Automobile manufacturers issue recall notices to inform vehicle owners of a safety defect or failure to meet minimum federal safety or emissions standards. Manufacturer recalls are repaired at no cost to the customer.

Ownership History

Manufacturer recalls are repaired at no cost to the customer.

Ownership History

CARFAX defines an owner as an individual or business that possesses and uses a vehicle. Not all title transactions represent changes in ownership. To provide estimated number of owners, CARFAX proprietary technology analyzes all the events in a vehicle history. Estimated ownership is available for vehicles manufactured after 1991 and titled solely in the US including Puerto Rico. Dealers sometimes opt to take ownership of a vehicle and are required to in the following states: Maine, Massachusetts, New Jersey, Ohio, Oklahoma, Pennsylvania and South Dakota. Please consider this as you review a vehicle's estimated ownership history.

Title Issued

A state issues a title to provide a vehicle owner with proof of ownership. Each title has a unique number. Each title or registration record on a CARFAX report does not necessarily indicate a change in ownership. In Canada, a registration and bill of sale are used as proof of ownership.

Follow Us:



facebook.com/CARFAX



[@CARFAXinc](https://twitter.com/CARFAXinc)



[About CARFAX](#)

CARFAX DEPENDS ON ITS SOURCES FOR THE ACCURACY AND RELIABILITY OF ITS INFORMATION. THEREFORE, NO RESPONSIBILITY IS ASSUMED BY CARFAX OR ITS AGENTS FOR ERRORS OR OMISSIONS IN THIS REPORT. CARFAX FURTHER EXPRESSLY DISCLAIMS ALL WARRANTIES, EXPRESS OR IMPLIED, INCLUDING ANY IMPLIED WARRANTIES OF MERCHANTABILITY OR FITNESS FOR A PARTICULAR PURPOSE.

© 2026 CARFAX, Inc., part of S&P Global. All rights reserved.
6/5/26 3:03:45 AM (CDT)

I have reviewed and received a copy of the CARFAX Vehicle History Report for this 2021 BMW 7 SERIES vehicle (VIN: WBA7T4C01MCE47451), which is based on information supplied to CARFAX and available as of 6/5/26 at 4:03 AM (EDT).

Customer Signature

Date

Dealer Signature

Date