

## 2023 VOLVO XC40 B5 ULTIMATE BRIGHT THEME

VIN:YV4L12UA4P2075207  
 4 DOOR WAGON/SPORT UTILITY  
 2.0L I4 F DOHC 16V  
 GASOLINE  
 ALL WHEEL DRIVE  
[Original Window Sticker](#)

Accident reported: total loss vehicle >

Regular oil changes >

At least 1 open recall >

CARFAX 1-Owner vehicle >

Personal lease vehicle >

**50,671** Last reported odometer reading >

This CARFAX Vehicle History Report is based only on [information](#) supplied to CARFAX and available as of 2/4/26 at 7:33:21 AM (CST). Other information about this vehicle, including problems, may not have been reported to CARFAX. Use this report as one important tool, along with a vehicle inspection and test drive, to make a better decision about your next used car.

## CARFAX Accident / Damage History

Not all accidents / issues are reported to CARFAX

### Event 1

11/18/2025

### TOTAL LOSS VEHICLE

- Vehicle declared a total loss by an insurance company
- Collision damage reported

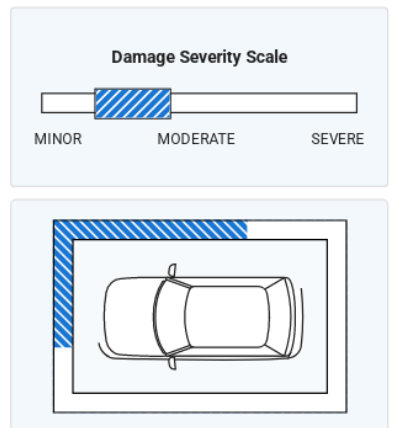
[View More Details >](#)

### Event 2

11/21/2025

### Damage reported: minor to moderate damage ⓘ

[View More Details >](#)



## CARFAX Additional History

Not all accidents / issues are reported to CARFAX

Owner 1

### Total Loss ⓘ


Total Loss Reported: 11/18/2025.

[Total Loss Reported](#)

### Structural Damage ⓘ





<b>Structural Damage</b> ⓘ CARFAX recommends that you have this vehicle inspected by a collision repair specialist.	✓
<b>Airbag Deployment</b> ⓘ No airbag deployment reported to CARFAX.	✓
<b>Odometer Check</b> ⓘ No indication of an odometer rollback.	✓
<b>Accident / Damage</b> ⓘ Accident reported: 11/18/2025. Damage reported: 11/21/2025.	<a href="#">Accident Reported</a>
<b>Manufacturer Recall</b> ⓘ At least 1 manufacturer recall requires repair. Most recalls can be repaired free of charge.	<a href="#">Recall Reported</a>
<b>Basic Warranty</b> ⓘ <a href="#">Original warranty</a> estimated to have expired.	<b>Warranty Expired</b>

<b>CARFAX Title History</b> CARFAX guarantees the information in this section	Owner 1
<b>Damage Brands</b> ⓘ Salvage   Junk   Rebuilt   Fire   Flood   Hail   Lemon	✓
<b>Odometer Brands</b> ⓘ Not Actual Mileage   Exceeds Mechanical Limits	✓
 <b>GUARANTEED</b> - None of these title problems were reported by a U.S. state Department of Motor Vehicles (DMV). If you find that any of these title problems were reported by a DMV and not included in this report, you may qualify. <a href="#">View Terms</a> <a href="#">View Certificate</a>	







<b>CARFAX Ownership History</b> The number of owners is estimated	Owner 1
Year purchased	2023
Type of owner	Personal lease
Estimated length of ownership	2 yrs. 1 mo.
Owned in the following states/provinces	California
Estimated miles driven per year	25,723/yr
Last reported odometer reading	50,671

**CARFAX Detailed History** [Glossary](#)

 <b>Owner 1</b> Purchased: 2023	Personal Lease Vehicle 25,723 mi/yr
---	--

Date	Mileage	Source	Comments
03/10/2023		Volvo Cars of North America, LLC	<b>Vehicle manufactured</b> <a href="#">Original Window Sticker</a> 



05/16/2023		Volvo Motors	<b>Vehicle shipped to original dealer in San Luis Obispo, CA</b>
05/18/2023 	10	Smith Volvo San Luis Obispo, CA smithvolvo.com  ★ 4.8/ 5.0 <a href="#">233 Verified Reviews</a> ♥ 1,105 Customer Favorites	<b>Vehicle serviced</b> - Pre-delivery inspection completed
08/23/2023		Smith Volvo, Inc. San Luis Obispo, CA smithvolvo.com/  ★ 4.8/ 5.0 <a href="#">233 Verified Reviews</a> ♥ 1,105 Customer Favorites	<b>Vehicle offered for sale</b>
11/25/2023	499	California Motor Vehicle Dept. San Luis Obispo, CA	<b>Odometer reading reported</b>
12/06/2023		California Motor Vehicle Dept. San Luis Obispo, CA	<b>Title issued or updated</b> - First owner reported - Titled or registered as personal lease vehicle - Loan or lien reported
04/19/2024 	11,358	Smith Volvo San Luis Obispo, CA smithvolvo.com  ★ 4.8/ 5.0 <a href="#">233 Verified Reviews</a> ♥ 1,105 Customer Favorites	<b>Vehicle serviced</b> - Maintenance inspection completed - 10,000 mile service performed - Brakes checked - Fluids checked - Oil and filter changed
08/23/2024 	20,799	Smith Volvo San Luis Obispo, CA smithvolvo.com  ★ 4.8/ 5.0 <a href="#">233 Verified Reviews</a> ♥ 1,105 Customer Favorites	<b>Vehicle serviced</b> - Maintenance inspection completed - 20,000 mile service performed - Brakes checked - Fluids checked - Oil and filter changed - Transmission fluid changed
01/16/2025 	30,040	Smith Volvo San Luis Obispo, CA smithvolvo.com  ★ 4.8/ 5.0 <a href="#">233 Verified Reviews</a> ♥ 1,105 Customer Favorites	<b>Vehicle serviced</b> - Maintenance inspection completed - 30,000 mile service performed - Fluids checked - Oil and filter changed - Tires rotated
05/28/2025 	40,431	Wrona's Quality Auto Repair San Luis Obispo, CA wronas.com/  ★ 4.9/ 5.0 <a href="#">54 Verified Reviews</a> ♥ 32 Customer Favorites	<b>Vehicle serviced</b> - Maintenance inspection completed - Oil and filter changed
11/05/2025 	49,974	Wrona's Quality Auto Repair San Luis Obispo, CA wronas.com/  ★ 4.9/ 5.0 <a href="#">54 Verified Reviews</a> ♥ 32 Customer Favorites	<b>Vehicle serviced</b> - Maintenance inspection completed - Oil and filter changed - Tire condition and pressure checked - Tires rotated
11/18/2025		Damage Report	<b>TOTAL LOSS VEHICLE</b>

11/18/2025



Damage Report

**TOTAL LOSS VEHICLE**

- Vehicle declared a total loss by an insurance company
- Collision damage reported



There are many reasons an insurance company will declare a vehicle a total loss. Have this vehicle inspected by a qualified technician before you buy. [Learn More](#)

11/21/2025

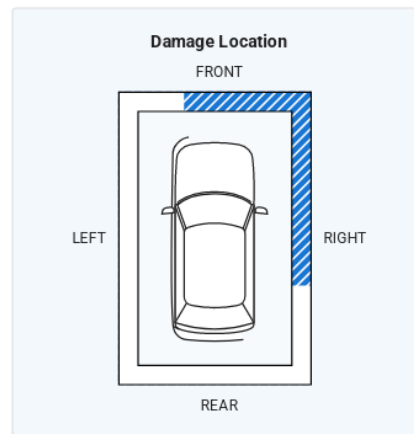
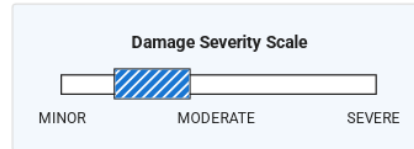


Damage Report

**Damage reported: minor to moderate damage** ⓘ

- Damage to front
- Damage to right side
- Damage to right front

**CARFAX HAS THE MOST ACCIDENT & DAMAGE INFORMATION**



11/24/2025



50,671

Big Brand Tire  
San Luis Obispo, CA  
[bigbrandtire.com](http://bigbrandtire.com)

★ 4.7/ 5.0  
[143 Verified Reviews](#)  
♥ 42 Customer Favorites

**Vehicle serviced**

- Alignment checked

01/14/2026

Vehicle Manufacturer

**Lease vehicle returned to dealer**

01/20/2026

Volvo Cars of North America, LLC

**Manufacturer recall/service bulletin issued**

- Recall #R10333 IHU SW Upgrade

[Click here](#) to locate an authorized Volvo retailer near you to obtain more information about this recall.

01/27/2026

California  
Motor Vehicle Dept.

**Title or registration issued to insurance company**



This vehicle's oil change history, as reported to CARFAX, follows the manufacturer's recommendation. Track your service history for free at [carfax.com/service](http://carfax.com/service).

Have Questions? Consumers, please visit our Help Center at [www.carfax.com](http://www.carfax.com). Dealers or Subscribers, please visit our Help Center at [www.carfaxonline.com](http://www.carfaxonline.com).

Follow Us: [facebook.com/CARFAX](https://facebook.com/CARFAX) [@CARFAXinc](https://twitter.com/CARFAXinc) [About CARFAX](#)

CARFAX DEPENDS ON ITS SOURCES FOR THE ACCURACY AND RELIABILITY OF ITS INFORMATION. THEREFORE, NO RESPONSIBILITY IS ASSUMED BY CARFAX OR ITS AGENTS FOR ERRORS OR OMISSIONS IN THIS REPORT. CARFAX FURTHER EXPRESSLY DISCLAIMS ALL WARRANTIES, EXPRESS OR IMPLIED, INCLUDING ANY IMPLIED WARRANTIES OF MERCHANTABILITY OR FITNESS FOR A PARTICULAR PURPOSE.

I have reviewed and received a copy of the CARFAX Vehicle History Report for this 2023 VOLVO XC40 vehicle (VIN: YV4L12UA4P2075207), which is based on information supplied to CARFAX and available as of 2/4/26 at 8:33 AM (EST).

---

**Customer Signature**

**Date**

---

**Dealer Signature**

**Date**